

HS-981TAB-EL SERIES



Materials



Sprockets
134/136/137

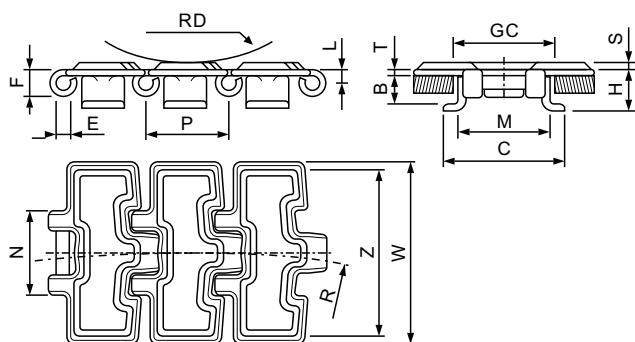


Applications

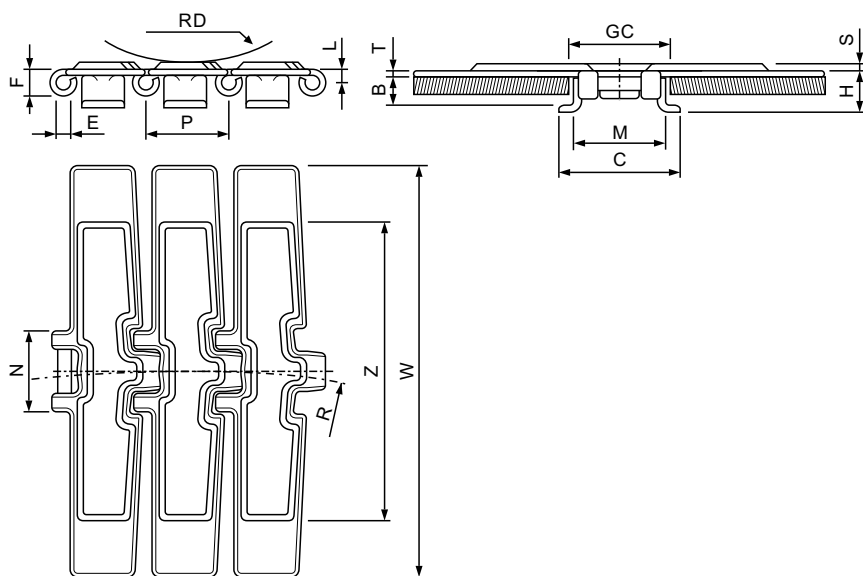
Plate Materials: P

Pad Material: Nitrilic rubber PG

Pin Material: Cold rolled austenitic stainless steel



Dimension	mm	inches
P	38.1	1.500
T	3.0	0.118
S	3.0	0.118
M	43.0	1.693
N	38.3	1.508
C	56.0	2.205
L	6.4	0.252
H	19.3	0.760
E	6.4	0.250
B	12.8	0.504
F	13.0	0.512
Z	76.0	2.992
RD	75.0	2.953
GC(Straight)	46.0	1.811
GC(Curve)	44.5	1.752



Dimension	mm	inches
P	38.1	1.500
T	3.0	0.118
S	3.0	0.118
M	43.0	1.693
N	38.3	1.508
C	56.0	2.205
L	6.4	0.252
H	19.3	0.760
E	6.4	0.250
B	12.8	0.504
F	13.0	0.512
Z	146.0	5.748
RD	75.0	2.953
GC(Straight)	46.0	1.811
GC(Curve)	44.5	1.752

HS-981TAB-EL (Sideflexing-Tab-Reduced plate gap)

CHARACTERISTICS

	Width W		Working Load		Sideflexing Radius		Weight (kg/m)
	(mm)	(inch)	N(21°C)	lbs(21°C)	(mm)	(inch)	
HS-981TAB-EL K325	82.6	3.25	8000	1800	457.2	18	3.07
HS-981TAB-EL K750	190.5	7.50	8000	1800	609.6	24	5.30