

HS-981M-EL SERIES

Plate Materials: P
Pad Material: Nitrilic rubber PG
Pin Material: Cold rolled austenitic stainless steel



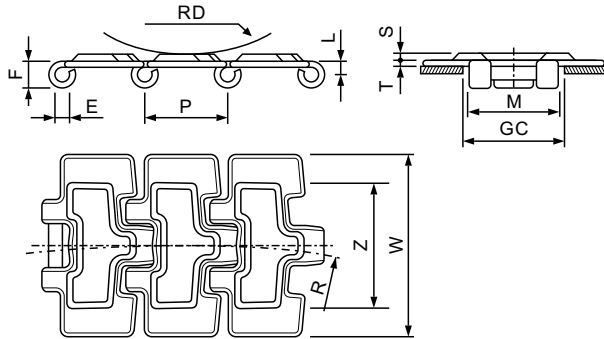
Materials



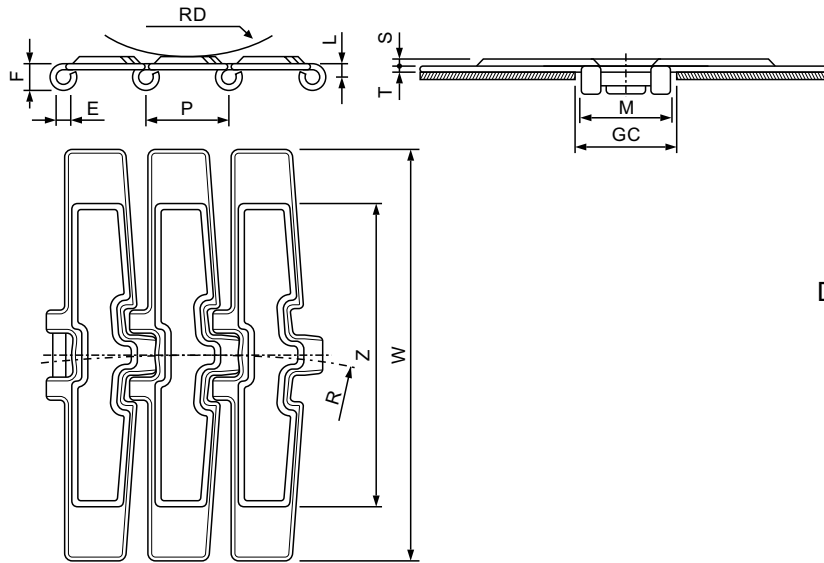
Sprockets
106-108
129/130



Applications



Dimension	mm	inches
P	38.1	1.500
T	3.0	0.118
S	3.0	0.118
M	42.0	1.654
L	6.4	0.252
H	13.0	0.512
E	6.4	0.250
Z	57.0	2.244
RD	75.0	2.953
GC(Straight)	44.0	1.732
GC(Curve)	44.0	1.732



Dimension	mm	inches
P	38.1	1.500
T	3.0	0.118
S	3.0	0.118
M	42.0	1.654
L	6.4	0.252
H	13.0	0.512
E	6.4	0.250
Z	146.0	5.748
RD	75.0	2.953
GC(Straight)	44.0	1.732
GC(Curve)	44.0	1.732

HS-981M-EL (Sideflexing-Magnetic-Reduced plate gap-Rubberized Surface)

CHARACTERISTICS

	Width W		Working Load		Sideflexing Radius		Weight (kg/m)
	(mm)	(inch)	N(21°C)	lbs(21°C)	(mm)	(inch)	
HS-P981M-EL K325	82.6	3.25	8500	1913	500	19.685	2.57
HS-P981M-EL K750	190.5	7.50	8500	1913	500	19.685	4.77