

HS-880TAB-EL SERIES



Materials



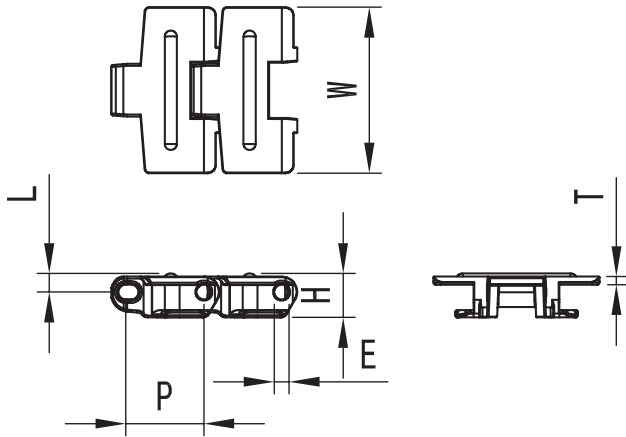
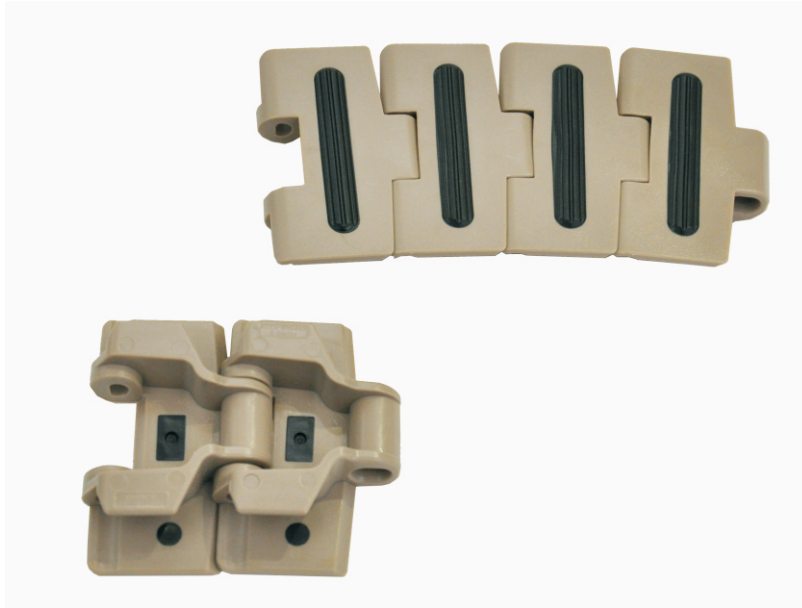
Sprockets



Applications

Plate Materials: POM-DP,POM-LF

Pin Material: Cold rolled austenitic stainless steel



Dimension	mm	inches
P	38.6	1.52
M	57.4	2.26
L	9.2	0.362
H	50.4	1.98
E	7.4	0.291
T	4	0.157
W	82.1	3.232
H	21.8	0.858

HS-880TAB-EL (Straight Running Plastic Chain)

CHARACTERISTICS

	Width W		Working Load		Radius		Reverse Radius		Weight (kg/m)
	(mm)	(inch)	N(21°C)	lbs(21°C)	(mm)	(inch)	(mm)	(inch)	
HS-880TAB-K325-EL	82.6	3.25	2100	472	457.2	18.00	40	1.57	0.94
HS-880TAB-K450-EL	114.3	4.50	2100	472	609.6	24.00	40	1.57	1.09