

HS-812 SERIES



Materials



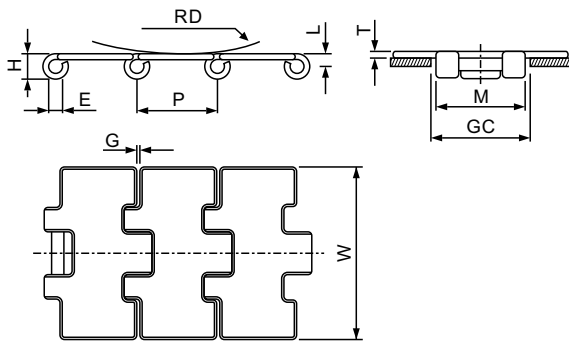
Sprockets
106~108
129/130



Applications

Plate Materials: SS

Pin Material: Cold rolled austenitic stainless steel(for stainless steel chains)



Dimension	mm	inches
P	38.1	1.500
T	3.0	0.118
M	42.0	1.654
L	6.4	0.252
H	13.0	0.512
E	6.4	0.250
G	1.6	0.063
RD	150.0	5.906
GC	44.0	1.732

HS-812 (Straight Running-Single Hinge)

	Width W		Working Load		Sideflexing Radius		Weight (kg/m)
	(mm)	(inch)	N(21°C)	lbs(21°C)	(mm)	(inch)	
HS-SS 812 K325	82.6	3.25	5600	1260	-	-	2.73
HS-SS 812 K330	83.8	3.30	5600	1260	-	-	2.78
HS-SS 812 K400	101.6	4.00	5600	1260	-	-	3.20
HS-SS 812 K450	114.3	4.50	5600	1260	-	-	3.48
HS-SS 812 K600	152.4	6.00	5600	1260	-	-	4.38
HS-SS 812 K750	190.5	7.50	5600	1260	-	-	5.27