

HS-7100-EL SERIES



Materials



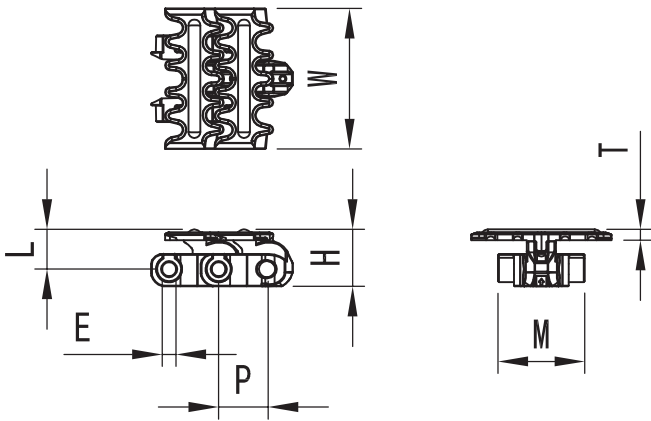
Sprockets



Applications

Plate Materials: POM-DP,POM-LF

Pin Material: Cold rolled austenitic stainless steel



Dimension	mm	inches
P	24.7	0.972
M	43.2	1.7
L	19.8	0.78
H	50.4	1.98
E	7	0.276
T	5.4	0.213
W	70	2.756
H	28.4	1.118

HS-7100-EL (Side Flexing Plastic Chain)

CHARACTERISTICS

	Width W		Working Load		Radius		Reverse Radius		Weight (kg/m)
	(mm)	(inch)	N(21°C)	lbs(21°C)	(mm)	(inch)	(mm)	(inch)	
HS-7100-70-EL	70.0	2.76	-	-	200	7.87	-	-	1.60