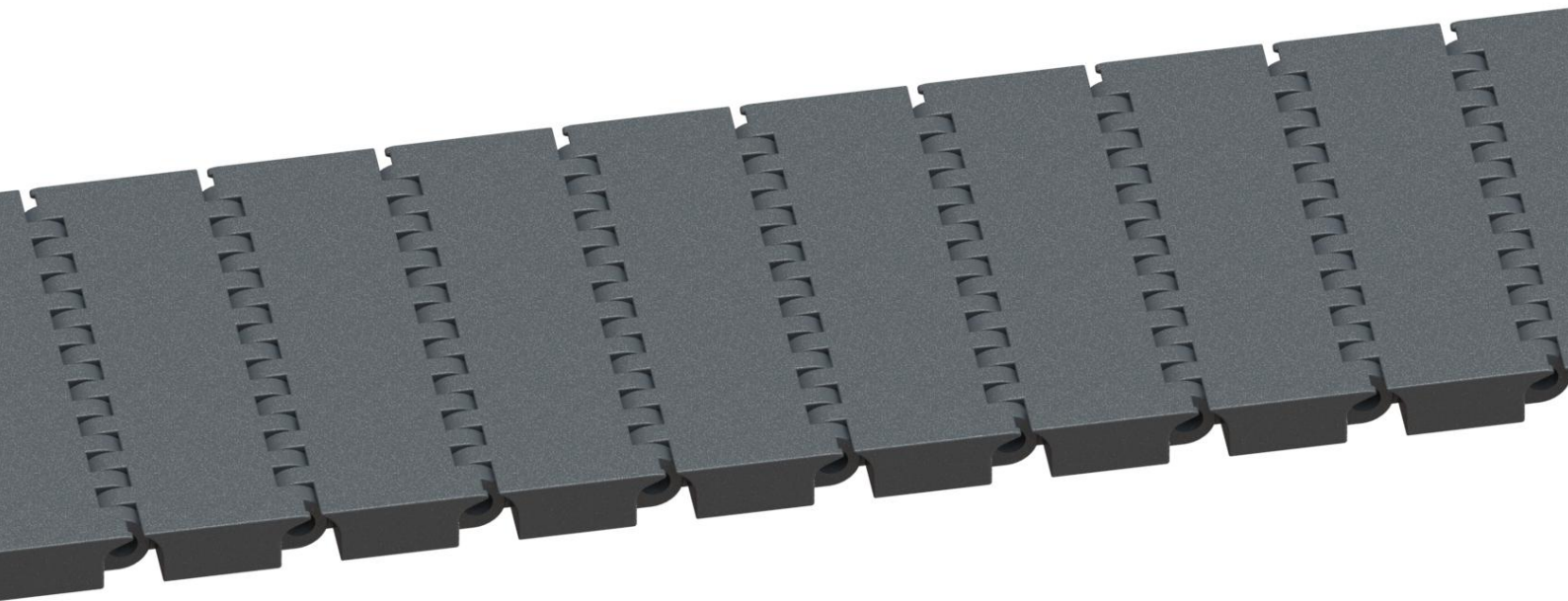
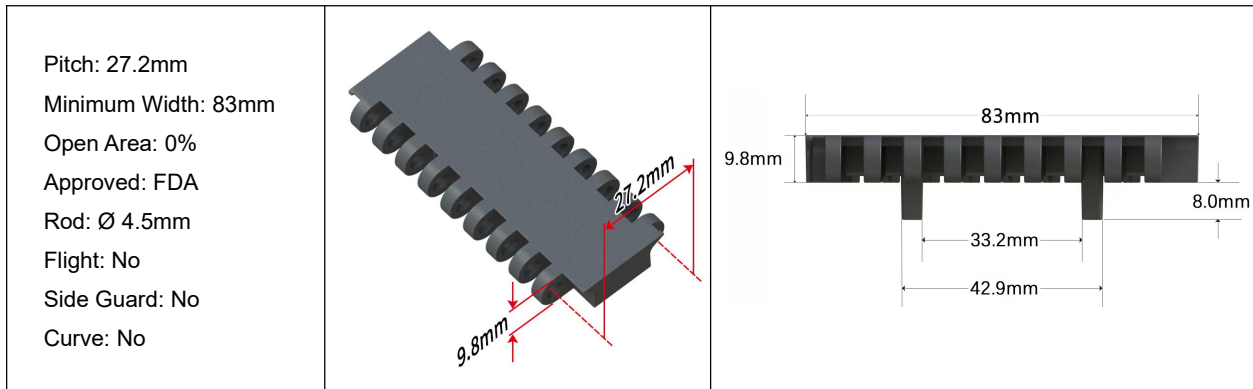


HS-700A-N-83-GB Technical Data





Data

| Belt Material | Belt Strength | | | Temperature | | Belt Weight |
|---------------|---------------|---------|-------|-------------|-----------|-------------|
| | Straight | | Curve | °C (min.) | °C (max.) | (Kg/M) |
| | Kg/M(BW) | N/M(BW) | | | | |
| Polypropylene | 130 | 1300 | -- | 1 | 104 | 0.55 |
| Acetal | 250 | 2500 | -- | -46 | 93 | 0.77 |

BW – Belt Width

Color Table

| Polypropylene | | | | | Polyethylene | | | | | Acetal | | | | | Nylon | | | | |
|---------------|---|---|----|---|--------------|---|---|----|---|--------|---|---|----|---|-------|---|---|----|---|
| W | G | N | DB | B | W | G | N | DB | B | W | G | N | DB | B | W | G | N | DB | B |
| ● | ● | | | ● | | | | | | ● | ● | | | ● | | | | | |

W-White, G-Gray, N-Nature, DB-Dark brown, B-Blue (For more information of belt color, pls consult our sales team)

Friction Table

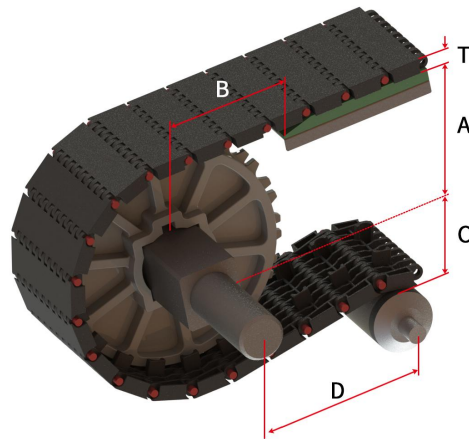
| Belt Material | Friction Wear strips & Products | | | | | | | |
|---------------|---------------------------------|------|-------|-------|------|---------|-----------|----------|
| | UHMW | HDPE | Steel | Glass | SUS | Plastic | Cardboard | Aluminum |
| Polypropylene | 0.32 | 0.24 | 0.15 | 0.09 | 0.13 | 0.08 | 0.15 | 0.25 |
| Polyethylene | 0.13 | 0.11 | 0.26 | 0.19 | 0.31 | 0.16 | 0.21 | 0.41 |
| Acetal | 0.11 | 0.09 | 0.27 | 0.16 | 0.26 | 0.15 | 0.19 | 0.28 |
| Nylon | 0.18 | 0.13 | 0.25 | 0.16 | 0.26 | 0.16 | 0.19 | 0.27 |

SUS – Stainless Steel

Equivalent type with other Brand

| Brand Name | Intralox | Habasit | UNI | Rexnord | MCC | ScanBelt |
|---------------|--------------------------------|---------|-----|---------|-----|----------|
| Series & Type | S900 Mold to Width Flat Top | -- | -- | -- | -- | -- |

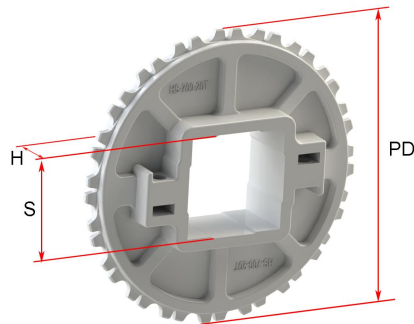
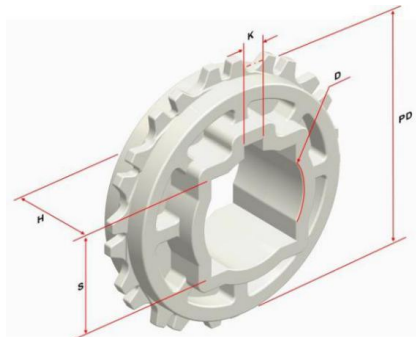
The above content is only for reference.



Conveyor Frame Dimensions

Unit : mm

| No. Teeth | A (Min.) | B (Min.) | C (Max.) | D (Min.) | T |
|---------------|-----------|-----------|-----------|-----------|-----|
| 6 | 21.25 | 36.15 | 20.35 | 200 | 9.8 |
| 9 | 35 | 49.9 | 34.1 | 200 | |
| 10 | 38.85 | 53.75 | 37.95 | 250 | |
| 12 | 47.85 | 62.75 | 46.95 | 250 | |
| 17 | 71.1 | 86 | 70.2 | 300 | |
| 18 | 74 | 88.9 | 73.1 | 300 | |
| 20 / 20-Split | 82.6 | 97.5 | 81.7 | 300 | |
| 24 | 100 | 114.9 | 99.1 | 300 | |



Sprocket Dimensions

Unit: mm

| No. Teeth | PD | OD | S | D | H | K |
|-----------|--------|-------|--------------------|--------------------------------|------|-----------|
| 6 | 54.40 | 52.3 | 25.4 | -- | 18.5 | -- |
| 9 | 79.53 | 79.8 | 25.4/38.1/40 | 25.4 | 21.5 | 6.35X3.17 |
| 10 | 88.02 | 87.5 | 25.4/38.1/40 | 25.4 | 18.8 | 6.35X3.17 |
| 12 | 105.09 | 105.5 | 25.4/30/38.1/40 | 25.4/30/31.75/35/38.1/45/47/50 | 35 | 6.35X3.17 |
| 17 | 148.03 | 152 | -- | 114 | 35 | 4.5X4.5 |
| 18 | 156.64 | 157.8 | 38.1/40/50/60/63.5 | 25.4/30/31.75/35/38.1/40/46/47 | 35 | 6.35X3.17 |
| 20 | 173.87 | 175 | 38.1/40/60 | 25.4/30/31.75/38.1 | 35 | 6.35X3.17 |
| 20-Split | 173.87 | 175 | 60 | 31.75/30 | 40 | 6.35X3.17 |
| 24 | 208.39 | 209.8 | 38.1/40 | 25.4/30/38.1/45 | 35 | 8X8 |