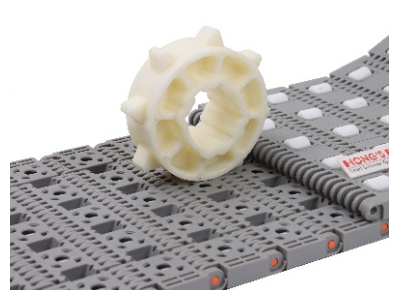
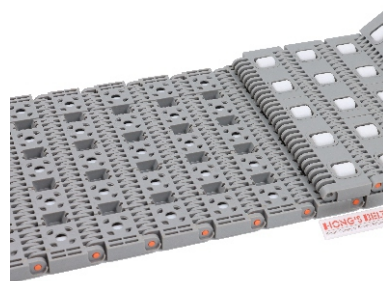
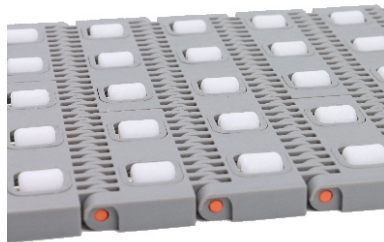
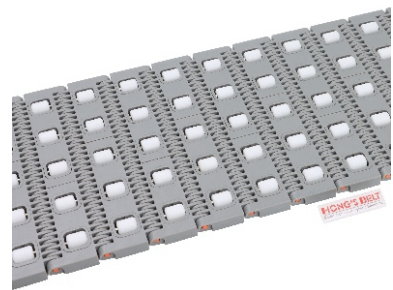
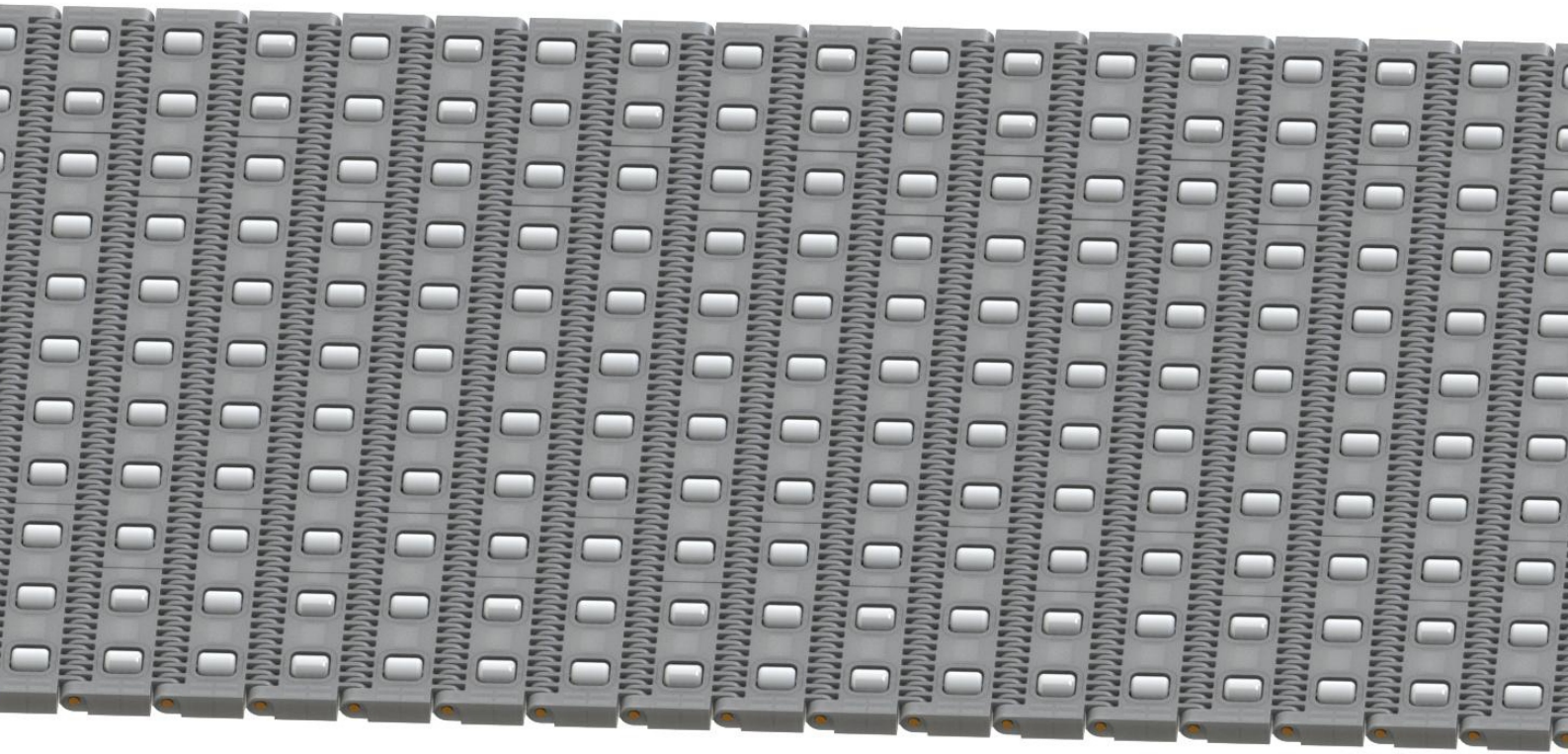
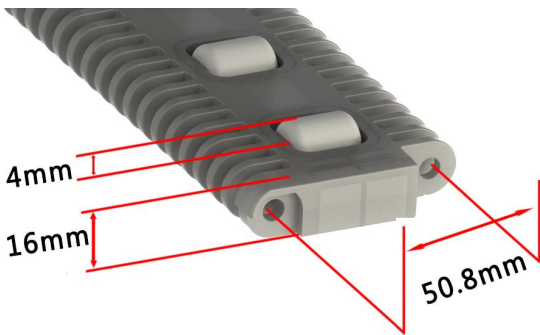


## HS-3900C-A Technical Data Sheet



<p>Pitch: 50.8mm                  Minimum Width: 254mm                  Open Area: 0%                  Approved: FDA                  Rod: Ø 5.8mm                  Flight: No                  Side Guard: No                  Curve: No                  Roller Direction: 0°, 90°</p>	
--	--

## Data

Belt Material	Belt Strength			Temperature		Belt Weight (Kg/M <sup>2</sup> )
	Straight		Curve	°C (min.)	°C (max.)	
	Kg/M(BW)	N/M(BW)				
Polypropylene	3500	35000	--	1	100	12.8
Acetal	4760	47600	--	-40	80	19.2

BW – Belt Width

## Color Table

Polypropylene					Polyethylene					Acetal					Nylon				
W	G	N	DB	B	W	G	N	DB	B	W	G	N	DB	B	W	G	N	DB	B
	●										●								

W-White, G-Gray, N-Nature, DB-Dark brown, B-Blue (For more information of belt color, pls consult our sales team)

## Friction Table

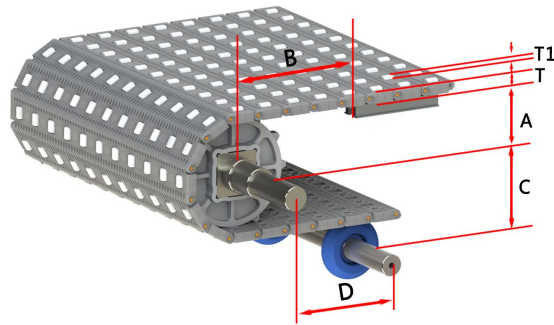
Belt Material	Friction Wear strips & Products							
	UHMW	HDPE	Steel	Glass	SUS	Plastic	Cardboard	Aluminum
Polypropylene	0.32	0.24	0.15	0.09	0.13	0.08	0.15	0.25
Polyethylene	0.13	0.11	0.26	0.19	0.31	0.16	0.21	0.41
Acetal	0.11	0.09	0.27	0.16	0.26	0.15	0.19	0.28
Nylon	0.18	0.13	0.25	0.16	0.26	0.16	0.19	0.27

SUS – Stainless Steel

## Equivalent type with other Brand

Brand Name	Intralox	Habasit	UNI	Rexnord	MCC	ScanBelt
Series & Type	--	--	--	--	--	--

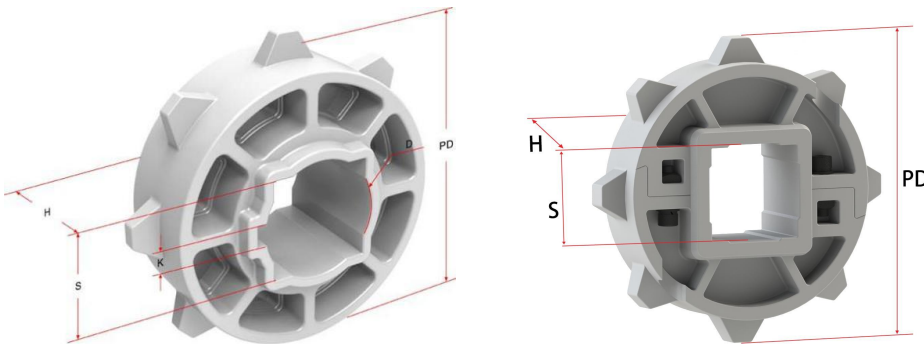
The above content is only for reference.



## Conveyor Frame Dimensions

Unit : mm

No. Teeth	A ( Min.)	B ( Min.)	C ( Max.)	D ( Min.)	T	T2
6	37.5	55.5	33.5	200	16	4
8 / 8-Split	56.5	74.5	52.5	250		
10 / 10-Split	72	90	68	250		
12 / 12-Split	90	108	86	300		
13	100.2	118.2	96.2	300		
16	121.75	139.75	117.75	300		
17	130	148	126	300		



## Sprocket Dimensions

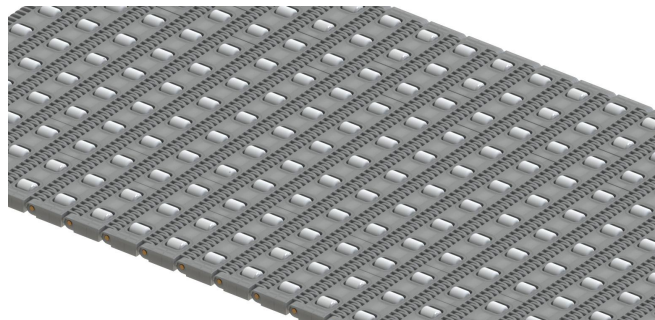
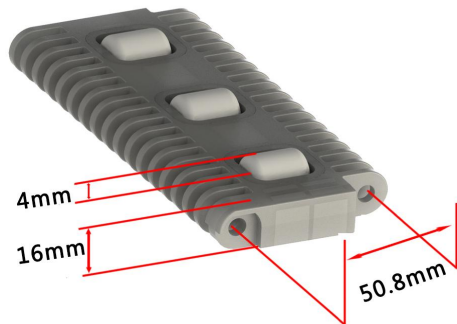
Unit: mm

No. Teeth	PD	OD	S	D	H	K
6	101.60	91	38.1	--	38	--
8	132.75	129	35/40	--	28/38	--
8-Split	132.75	129	38.1/40	--	38	--
10	164.39	160	38.1/40/50/60/63.5/70	47/50.8	49	8X8
10-Split	164.39	160	38.1/40/60	--	38	--
12	196.28	196	38.1/40/50/60/63.5/70	40	49	12X8
12-Split	196.28	196	38.1	--	38	--
13	212.27	216.37	60	--	38	--
16	260.39	259.5	60/80/90	---	49	---
17	276.46	276	120	--	49	--

Note: Thickness 28mm is only for 8T-S40.

Two adjustable roller directions of modular belt HS-3900C-A : 0° and 90°, see pictures as follows:

1) Roller Direction: 90°



2) Roller Direction: 0°

