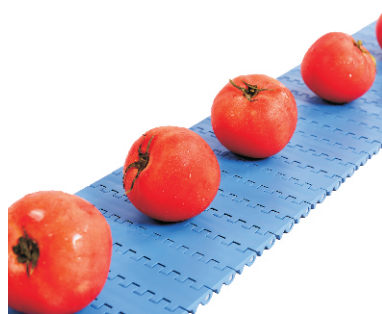
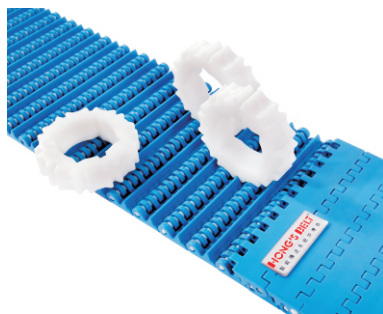
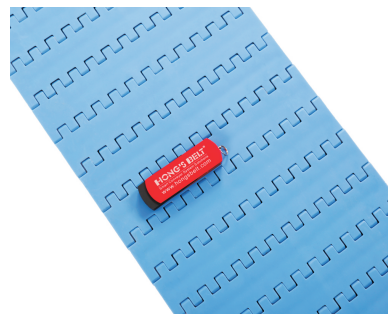
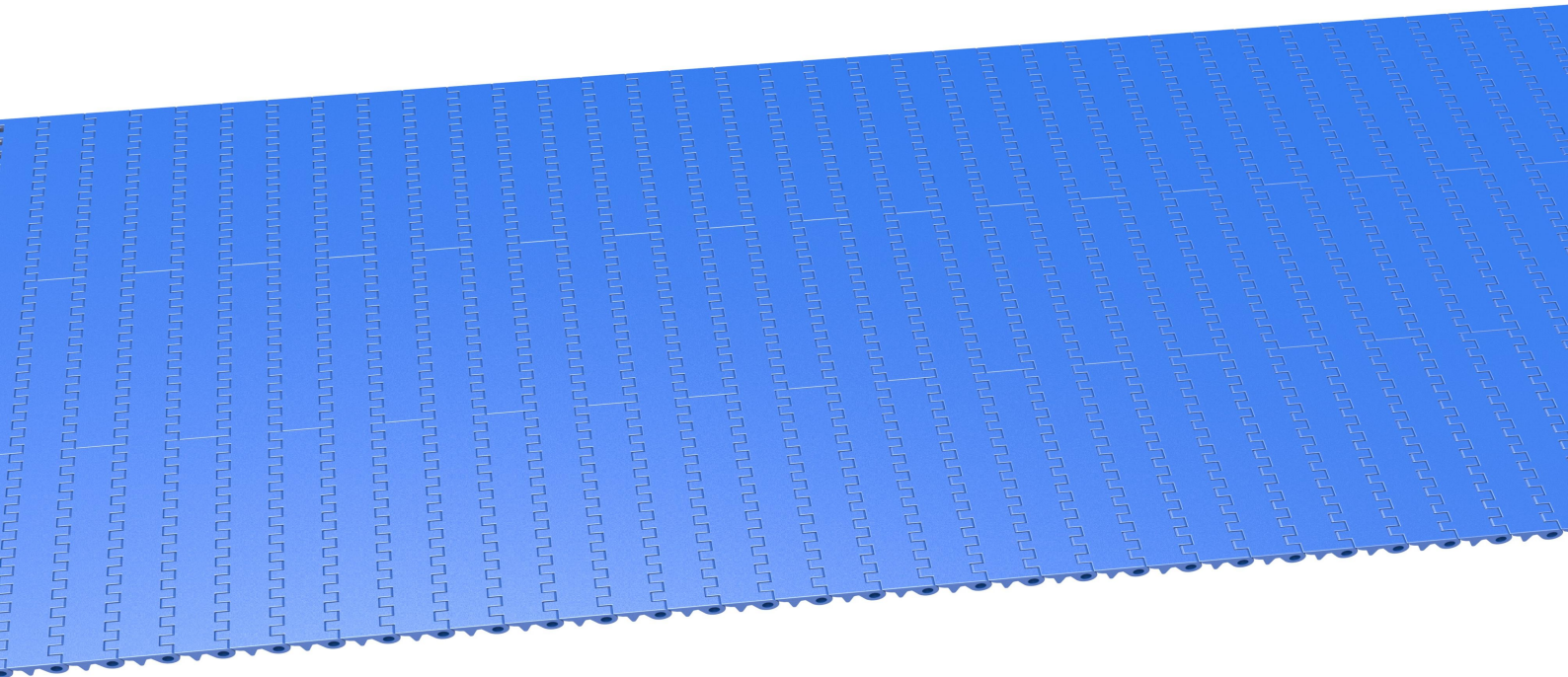


## HS-200A-HD Technical Data Sheet



<p>Pitch: 25.4mm                  Minimum Width: 152mm                  Open Area: 0%                  Approved: FDA                  Rod: Ø 5.3mm                  Flight: Yes                  Side Guard: Yes                  Curve: No</p>	
---	--

### Data

Belt Material	Belt Strength			Temperature		Belt Weight (Kg/M <sup>2</sup> )
	Straight		Curve	°C (min.)	°C (max.)	
	Kg/M(BW)	N/M(BW)				
Polypropylene	1155	11550	--	1	100	5.6
Polyethylene	1105	11050	--	-60	60	5.8
Acetal	1520	15200	--	-40	80	8.9
Nylon	1310	13100	--	1	180	6.8

BW – Belt Width

### Color Table

Polypropylene					Polyethylene					Acetal					Nylon				
W	G	N	DB	B	W	G	N	DB	B	W	G	N	DB	B	W	G	N	DB	B
●	●						●			●				●				●	

W-White, G-Gray, N-Nature, DB-Dark brown, B-Blue (For more information of belt color, pls consult our sales team)

### Friction Table

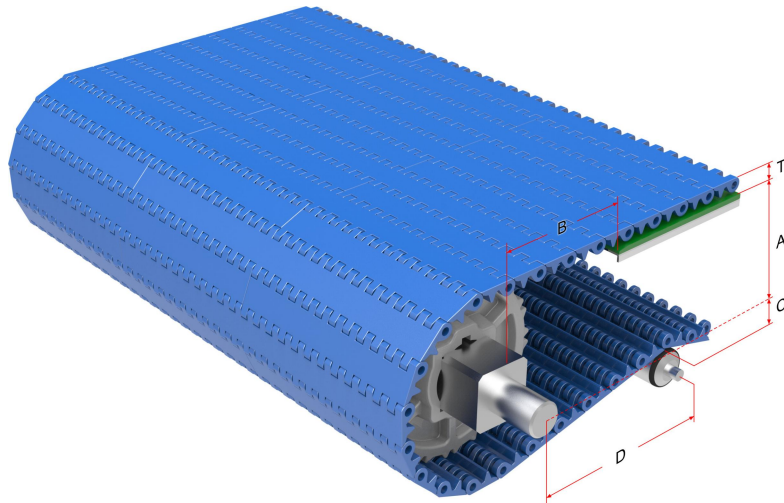
Belt Material	Friction Wear strips & Products							
	UHMW	HDPE	Steel	Glass	SUS	Plastic	Cardboard	Aluminum
Polypropylene	0.32	0.24	0.15	0.09	0.13	0.08	0.15	0.25
Polyethylene	0.13	0.11	0.26	0.19	0.31	0.16	0.21	0.41
Acetal	0.11	0.09	0.27	0.16	0.26	0.15	0.19	0.28
Nylon	0.18	0.13	0.25	0.16	0.26	0.16	0.19	0.27

SUS – Stainless Steel

### Equivalent type with other Brand

Brand Name	Intralox	Habasit	UNI	Rexnord	MCC	ScanBelt
Series & Type	--	--	S-MPB C	--	--	--

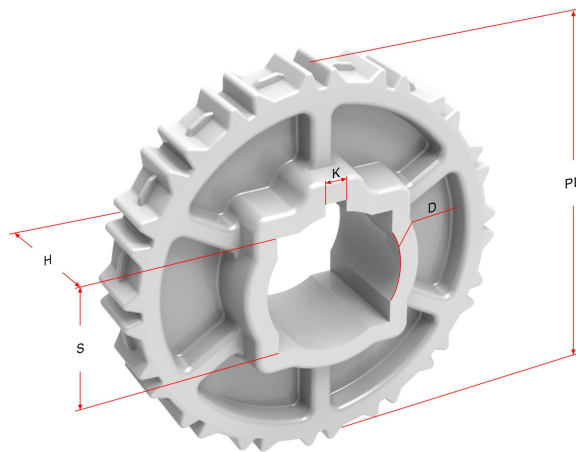
The above content is only for reference.



**Conveyor Frame Dimensions**

Unit : mm

No. Teeth	A ( Min.)	B ( Min.)	C ( Max.)	D ( Min.)	T
8	25.4	40.5	24.3	200	10.2
10	34.7	49.8	33.6	200	
12	42.1	57.2	41	200	
16	58.6	73.7	57.5	200	
20	74.9	90	73.8	200	



**Sprocket Dimensions**

Unit: mm

No. Teeth	PD	OD	S	D	H	K
8	66.37	61	25.4	25.4/30	22	6X6
10	82.20	79.6	38.1/40	25.4/38.1/45	22	7X7
12	98.14	94.5	25.4/38.1/40	19/25.4/30/31.75/45	38	7X7
16	130.20	127.4	38.1/40	25.4/30/45	38	7X7
20	162.37	160	38.1/40	25.4/45	38	7X7