

## HS-1800A-100 Technical Data Sheet



<p>Pitch: 63.5mm          Minimum Width: 100mm          Open Area: 0%          Approved: FDA          Rod: Ø 10.0mm          Flight: No          Side Guard: No          Curve: No</p>	
--	--

### Data

Belt Material	Belt Strength			Temperature		Belt Weight (Kg/M <sup>2</sup> )
	Straight		Curve	°C (min.)	°C (max.)	
	Kg/M(BW)	N/M(BW)				
Acetal	10000	100000	--	-40	80	33.3
Acetal+AS	10000	100000	--	-40	85	33.3

BW – Belt Width AS - Anti-Static

### Color Table

Polypropylene					Polyethylene					Acetal					Nylon				
W	G	N	DB	B	W	G	N	DB	B	W	G	N	DB	B	W	G	N	DB	B
										●					●				

W-White, G-Gray, N-Nature, DB-Dark brown, B-Blue (For more information of belt color, pls consult our sales team)

### Friction Table

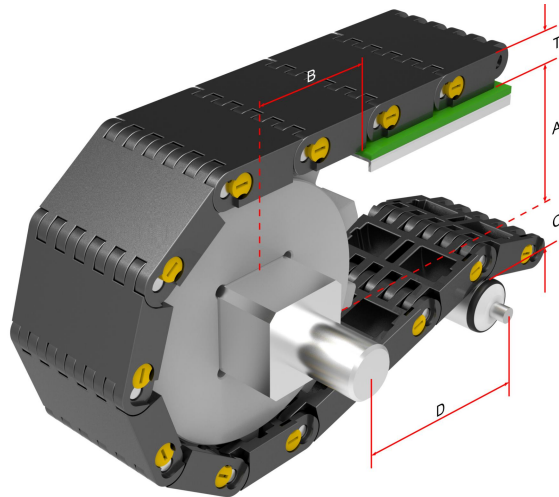
Belt Material	Friction Wear strips & Products							
	UHMW	HDPE	Steel	Glass	SUS	Plastic	Cardboard	Aluminum
Polypropylene	0.32	0.24	0.15	0.09	0.13	0.08	0.15	0.25
Polyethylene	0.13	0.11	0.26	0.19	0.31	0.16	0.21	0.41
Acetal	0.11	0.09	0.27	0.16	0.26	0.15	0.19	0.28
Nylon	0.18	0.13	0.25	0.16	0.26	0.16	0.19	0.27

SUS – Stainless Steel

### Equivalent type with other Brand

Brand Name	Intralox	Habasit	UNI	Rexnord	MCC	ScanBelt
Series & Type	--	--	--	--	--	--

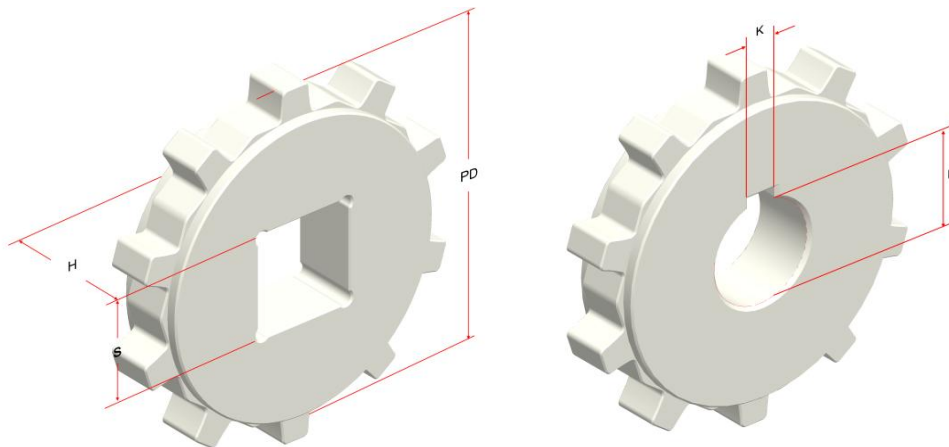
The above content is only for reference.



## Conveyor Frame Dimensions

Unit : mm

No. Teeth	A ( Min.)	B ( Min.)	C ( Max.)	D ( Min.)	T
10	88.25	110.75	79.75	400	25
13	118	140.5	109.5	450	
15	141.5	164	133	500	



## Sprocket Dimensions

Unit: mm

No. Teeth	PD	OD	S	D	H	K
10	205.49	201.5	60/63.5/82	60	36	18X4
13	265.34	261	60/63.5/80/100	--	36	--
15	305.42	308	80/90	--	36	--

- The above sprockets are standard, and it also can be customized according to customer's request, including the teeth number of sprocket and the size of square bore; the processing time is about 1 week.