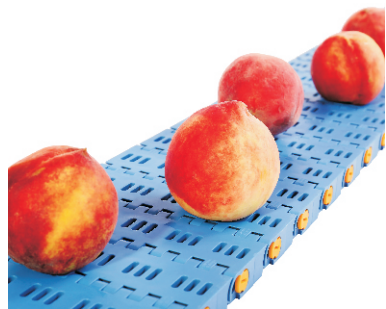
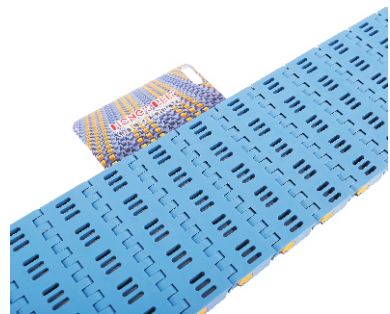
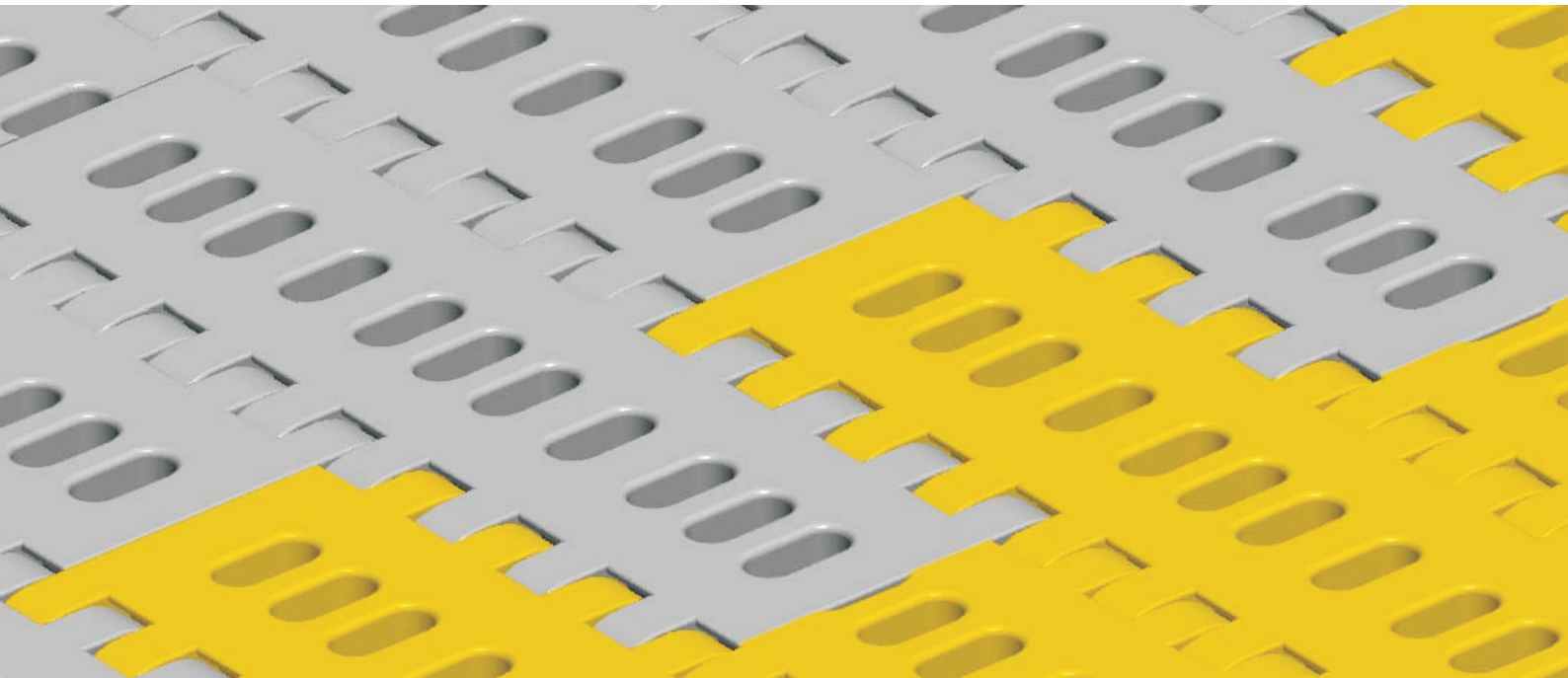


## HS-1600B Technical Data Sheet



<p>Pitch: 50.8mm          Minimum Width: 163mm          Open Area: 11%          Approved: FDA          Rod: Ø 8.0mm          Flight: No          Side Guard: No          Curve: No</p>	
--	--

## Data

Belt Material	Belt Strength			Temperature		Belt Weight (Kg/M <sup>2</sup> )
	Straight		Curve	°C (min.)	°C (max.)	
	Kg/M(BW)	N/M(BW)				
PP+AS	3000	30000	--	1	104	14
Acetal	5000	50000	--	-40	80	19
Acetal+AS	5000	50000	--	-40	90	19

BW – Belt Width AS - Anti-Static

## Color Table

Polypropylene					Polyethylene					Acetal					Nylon				
W	G	N	DB	B	W	G	N	DB	B	W	G	N	DB	B	W	G	N	DB	B
●	●									●				●					

W-White, G-Gray, N-Nature, DB-Dark brown, B-Blue (For more information of belt color, pls consult our sales team)

## Friction Table

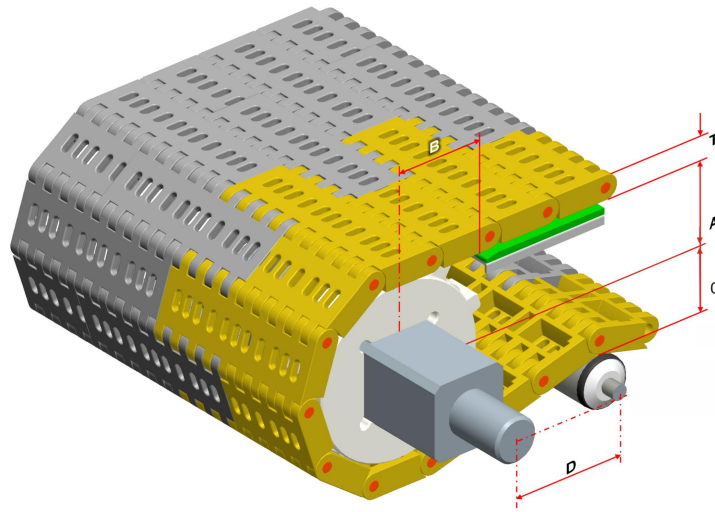
Belt Material	Friction Wear strips & Products							
	UHMW	HDPE	Steel	Glass	SUS	Plastic	Cardboard	Aluminum
Polypropylene	0.32	0.24	0.15	0.09	0.13	0.08	0.15	0.25
Polyethylene	0.13	0.11	0.26	0.19	0.31	0.16	0.21	0.41
Acetal	0.11	0.09	0.27	0.16	0.26	0.15	0.19	0.28
Nylon	0.18	0.13	0.25	0.16	0.26	0.16	0.19	0.27

SUS – Stainless Steel

## Equivalent type with other Brand

Brand Name	Intralox	Habasit	UNI	Rexnord	MCC	ScanBelt
Series & Type	--	--	--	--	--	--

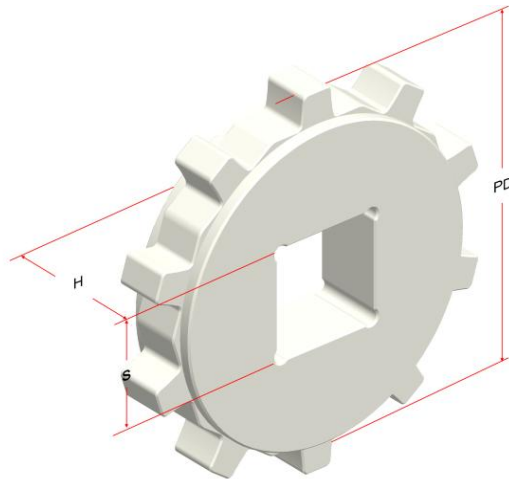
The above content is only for reference.



## Conveyor Frame Dimensions

Unit : mm

No. Teeth	A ( Min.)	B ( Min.)	C ( Max.)	D ( Min.)	T
12	87.25	107.25	81.25	300	20
15	111.75	131.75	105.75	300	
18	136.5	156.5	130.5	300	



## Sprocket Dimensions

Unit: mm

No. Teeth	PD	OD	S	D	H	K
12	196.28	194.5	38.1/40/60	--	45	--
15	244.33	243.5	60	--	45	--
18	292.55	293	90	--	45	--

- The above sprockets are standard, and it also can be customized according to customer's request, including the teeth number of sprocket and the size of square bore; the processing time is about 1 week.