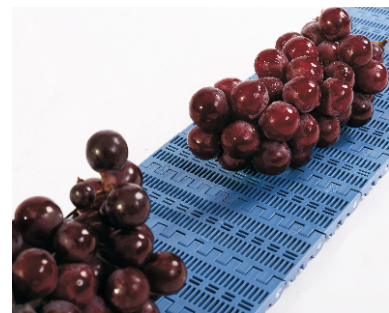
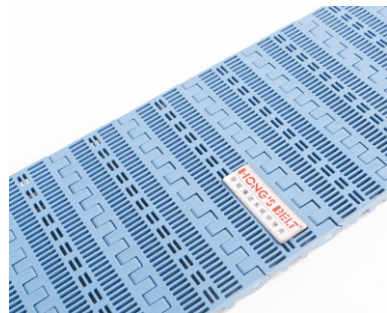
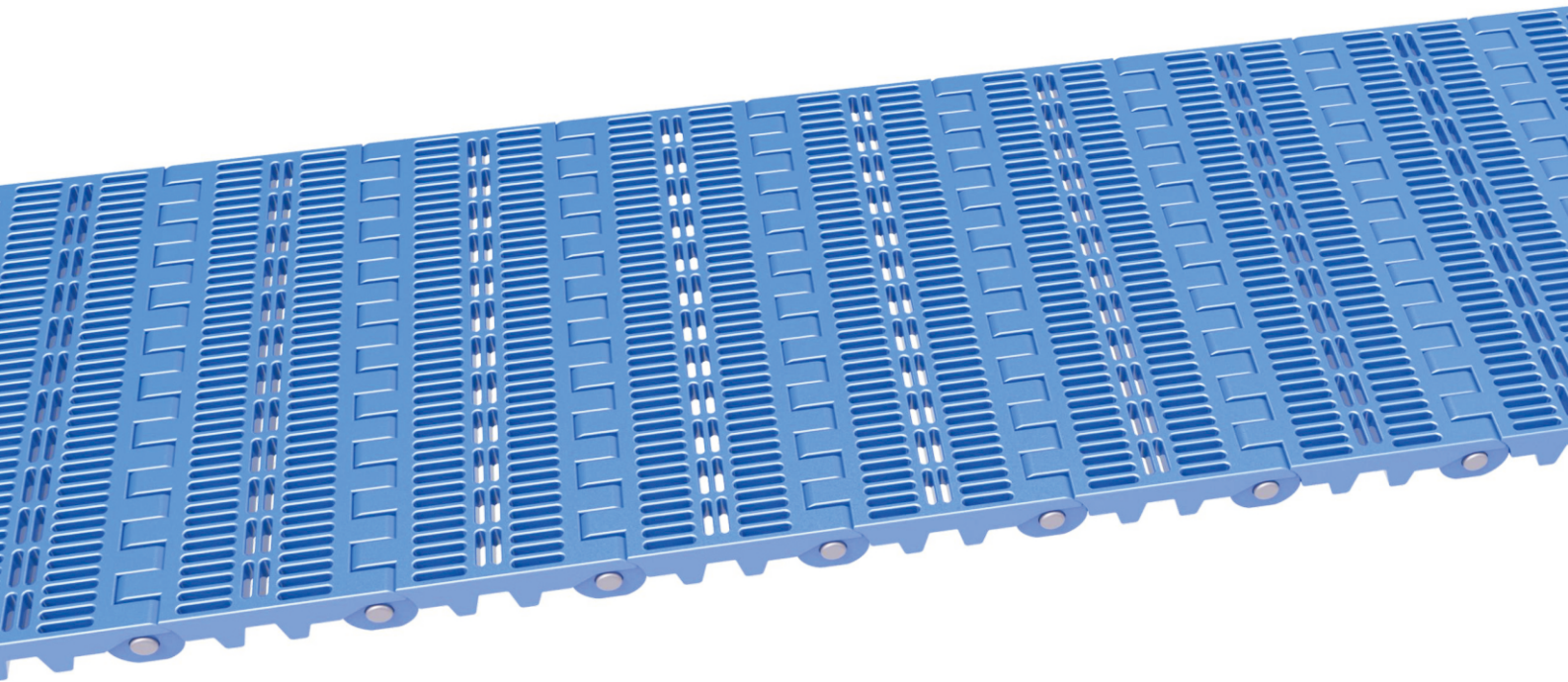


HS-102B Technical Data Sheet



<p>Pitch: 50.8mm Minimum Width: 45mm Open Area: 20% Approved: FDA Rod: Ø 5.8mm Flight: Yes Side Guard: Yes Curve: No</p>	
---	--

Data

Belt Material	Belt Strength			Temperature		Belt Weight (Kg/M ²)
	Straight		Curve	°C (min.)	°C (max.)	
	Kg/M(BW)	N/M(BW)				
Polypropylene	1070	10700	--	1	100	7.5
Polyethylene	1020	10200	--	-60	60	8.7
Acetal	1400	14000	--	-40	80	10.2
Nylon	1200	12000	--	1	180	9.6

BW – Belt Width

Color Table

Polypropylene					Polyethylene					Acetal					Nylon				
W	G	N	DB	B	W	G	N	DB	B	W	G	N	DB	B	W	G	N	DB	B
●	●						●			●	●					●			

W-White, G-Gray, N-Nature, DB-Dark brown, B-Blue (For more information of belt color, pls consult our sales team)

Friction Table

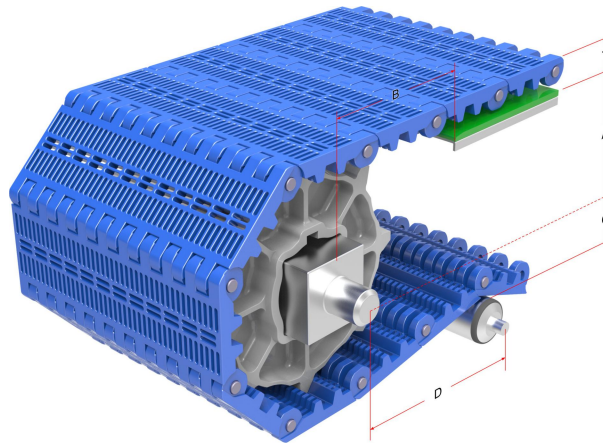
Belt Material	Friction Wear strips & Products							
	UHMW	HDPE	Steel	Glass	SUS	Plastic	Cardboard	Aluminum
Polypropylene	0.32	0.24	0.15	0.09	0.13	0.08	0.15	0.25
Polyethylene	0.13	0.11	0.26	0.19	0.31	0.16	0.21	0.41
Acetal	0.11	0.09	0.27	0.16	0.26	0.15	0.19	0.28
Nylon	0.18	0.13	0.25	0.16	0.26	0.16	0.19	0.27

SUS – Stainless Steel

Equivalent type with other Brand

Brand Name	Intralox	Habasit	UNI	Rexnord	MCC	ScanBelt
Series & Type	--	--	--	--	--	--

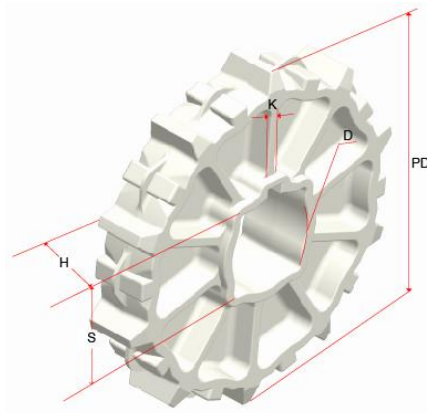
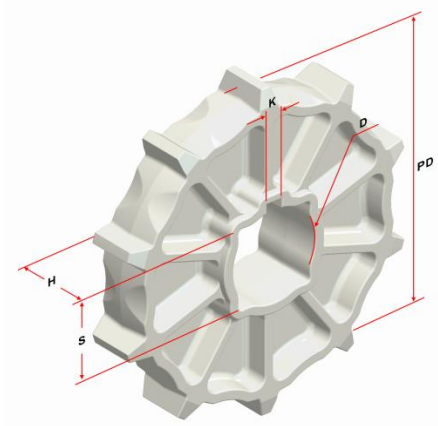
The above content is only for reference.



Conveyor Frame Dimensions

Unit : mm

No. Teeth	A (Min.)	B (Min.)	C (Max.)	D (Min.)	T
6	37.9	55.9	33.9	250	16
8	56	74	52	250	
9	63.5	81.5	59.5	250	
10	73	91	69	250	
12	88.4	106.4	84.4	300	
16	122	140	118	300	



Sprocket Dimensions

Unit: mm

No. Teeth	PD	OD	S	D	H	K
6	101.60	91.8	38.1/40	25.4/30/35/40/45	30	8X8
8	132.75	128	38.1/40	25.4/30/35/40/44	37	8X8
9	148.53	143	38.1/40	30/32/45/51	35	8X8
10	164.39	162	38.1/40/50/60	25.4/30/35/40/45	35	8X8
12	196.28	192.8	38.1/40/60	45/47	37	8X8
16	260.39	260	38.1/40/60/63.5	--	46	--