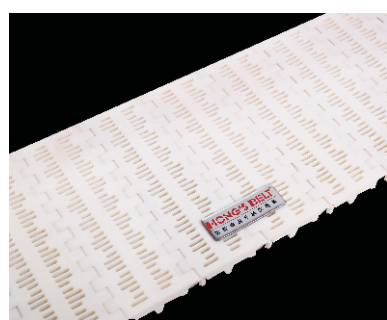
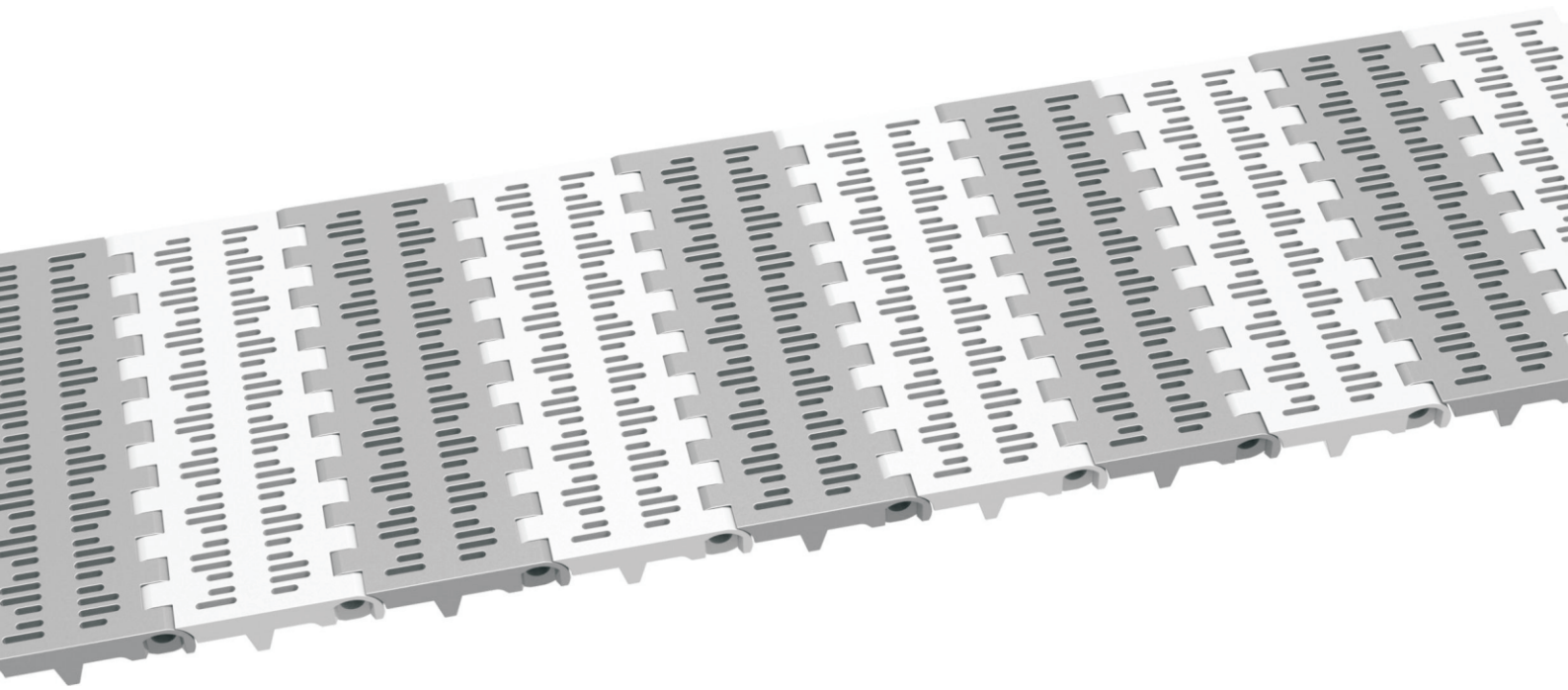
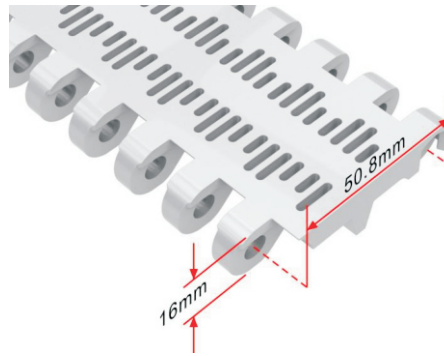


HS-100B-HD Technical Data Sheet



Pitch: 50.8mm
 Minimum Width: 152mm
 Open Area: 17.6%
 Approved: FDA
 Rod: Ø 6.6mm
 Flight: Yes
 Side Guard: No
 Curve: No



Data

| Belt Material | Belt Strength | | | Temperature | | Belt Weight (Kg/M ²) |
|---------------|---------------|---------|-------|-------------|-----------|-------------------------------------|
| | Straight | | Curve | °C (min.) | °C (max.) | |
| | Kg/M(BW) | N/M(BW) | | | | |
| Polypropylene | 1340 | 13400 | -- | 1 | 100 | 8.4 |
| Polyethylene | 1280 | 12800 | -- | -60 | 60 | 8.8 |
| Acetal | 1770 | 17700 | -- | -40 | 80 | 13.1 |
| Nylon | 1520 | 15200 | -- | 1 | 180 | 11.8 |

BW – Belt Width

Color Table

| Polypropylene | | | | | Polyethylene | | | | | Acetal | | | | | Nylon | | | | |
|---------------|---|---|----|---|--------------|---|---|----|---|--------|---|---|----|---|-------|---|---|----|---|
| W | G | N | DB | B | W | G | N | DB | B | W | G | N | DB | B | W | G | N | DB | B |
| ● | ● | | | | | | ● | | | ● | | | | ● | | | | ● | |

W-White, G-Gray, N-Nature, DB-Darkbrown, B-Blue

Friction Table

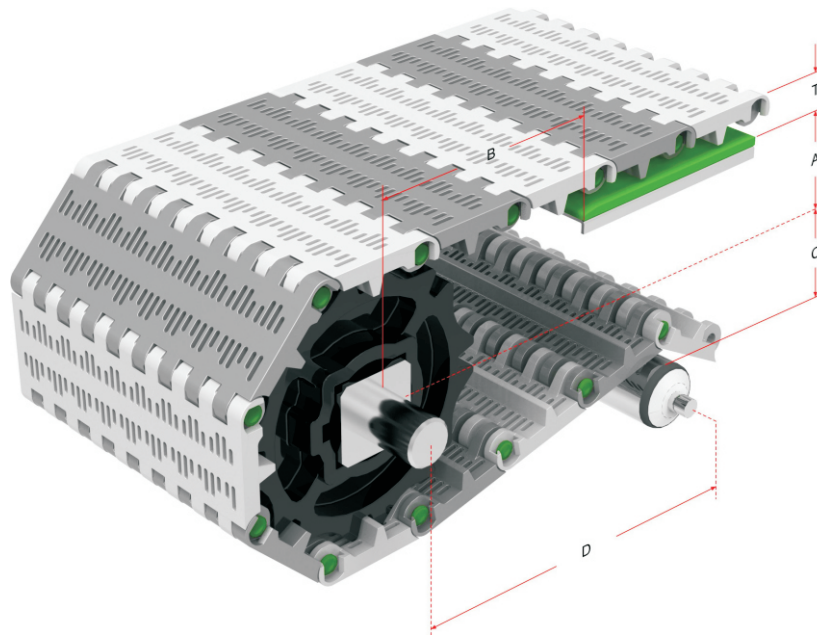
| Belt Material | Friction Wear strips & Products | | | | | | | |
|---------------|---------------------------------|------|-------|-------|------|---------|-----------|----------|
| | UHMW | HDPE | Steel | Glass | SUS | Plastic | Cardboard | Aluminum |
| Polypropylene | 0.32 | 0.24 | 0.15 | 0.09 | 0.13 | 0.08 | 0.15 | 0.25 |
| Polyethylene | 0.13 | 0.11 | 0.26 | 0.19 | 0.31 | 0.16 | 0.21 | 0.41 |
| Acetal | 0.11 | 0.09 | 0.27 | 0.16 | 0.26 | 0.15 | 0.19 | 0.28 |
| Nylon | 0.18 | 0.13 | 0.25 | 0.16 | 0.26 | 0.16 | 0.19 | 0.27 |

SUS – Stainless Steel

Equivalent type with other Brand

| Brand Name | Intralox | UNI | Rexnord | MCC | Habasit | KVP |
|---------------|----------|-------|---------|------|---------|-----|
| Series & Type | 200 | OPB | 6390 | 2000 | H5000 | 620 |
| | 800 | L-SNB | 2010 | | M5100 | |
| | 850 | MPB | 2000 | | | |

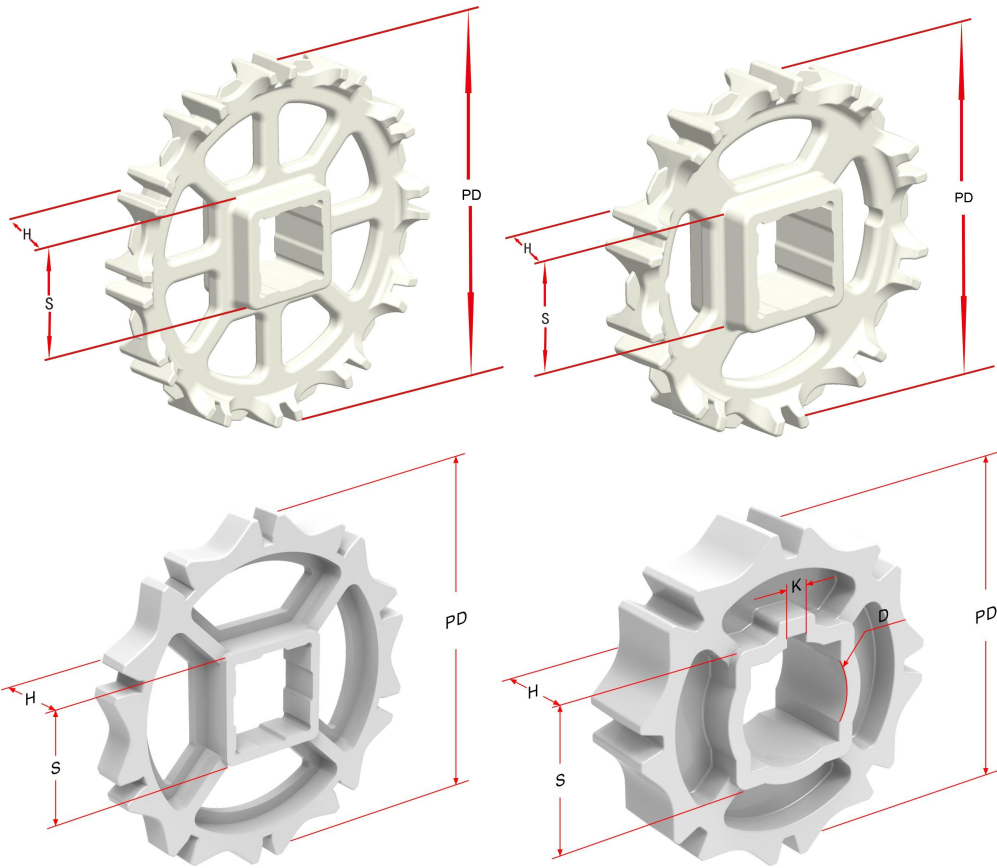
The above content is only for reference.



Conveyor Frame Dimensions

Unit : mm

| No. Teeth | A (Min.) | B (Min.) | C (Max.) | D (Min.) | T |
|-----------|------------|------------|------------|------------|----|
| 6 | 36.55 | 54.55 | 32.55 | 250 | 16 |
| 6/N | 40.1 | 58.1 | 36.1 | 250 | |
| 8 / 8/N | 53.65 | 71.65 | 49.65 | 250 | |
| 10 / 10/N | 70.65 | 88.65 | 66.65 | 250 | |
| 12 / 12/N | 87.4 | 105.4 | 83.4 | 300 | |



Sprocket Dimensions

Unit : mm

| No. Teeth | PD | S | D | H | K |
|-------------|-------|---------------------|---|----|-----------|
| 6 | 89.1 | 25.4/38.5/40.5 | 25.5/45.5 | 37 | 8X8 |
| 6/N | 96.2 | 25.4/38.2 | 25.4/31.75 | 37 | 6.35X3.17 |
| 8 | 123.3 | 38.5/40.5 | 25.5/30.5 | 37 | 6.35X3.17 |
| 8/N | 123.3 | 38.5/40.5 | 25.4/25.5/30.5/31.75 | 37 | 6.35X3.17 |
| 10 | 157.2 | 38.5/40.5 | 30.5 | 37 | 8X8 |
| 10/N | 157.3 | 38.5/40.5/50.8 | 25.4/25.5/30.5/31.75/35/ 36.5/38.5/50.2/50.8 | 37 | 6.35X3.17 |
| 12 | 190.8 | 38.5/40.5/50.5/60.5 | -- | 37 | -- |
| 12/N | 190.8 | 38.5/40.5/60.5 | -- | 37 | -- |