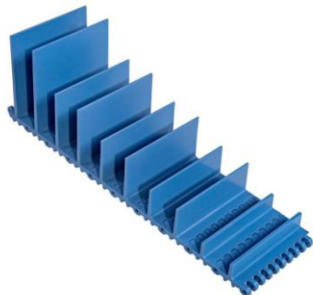
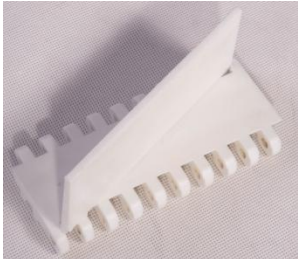


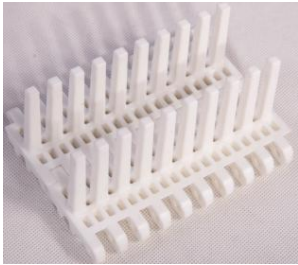

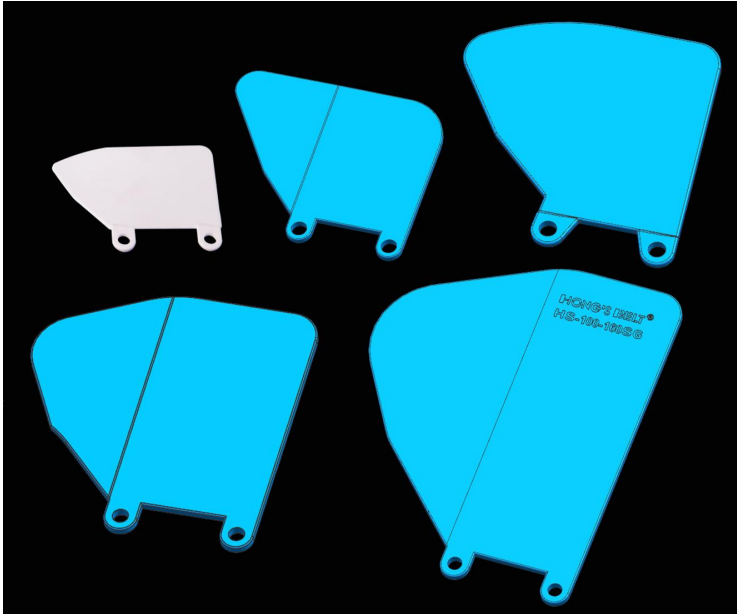


MODULAR BELT ACCESSORIES

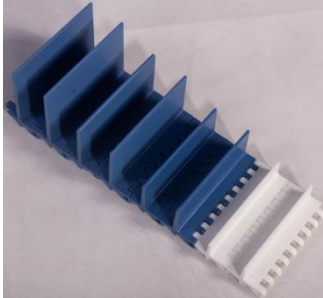

HS-100 SERIES

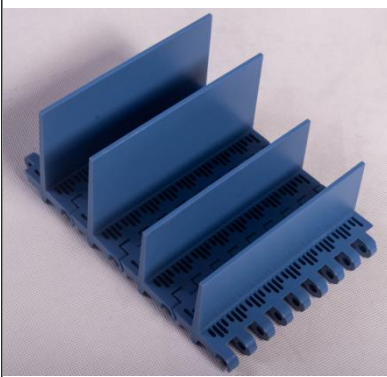
FLIGHT							
Based on	Type	Picture	Height	Width	Molded Indent		
HS-100A	Straight flight		25mm	150mm	/		
			50mm	150mm	/		
			75mm	150mm	/		
			100mm	150mm	/		
			150mm	150mm	/		
	Angle flight		50mm	150mm	/		
			Scoop flight		75mm	150mm	/
					100mm	150mm	/
	Scoop flight		150mm	150mm	/		
			HS-100B	Comb Flight		50mm	150mm
60mm						150mm	/
HS-102B	Straight flight		40mm	150mm	/		


Suitable for 100A/100AN/100B/100B-EL/101B/102B

SIDE WALL	
Height	Picture
60mm	
85mm	
102mm (Left, Right)	
110mm	
160mm	
Suitable for 100A/100B/101B/102B/100A-HD-N/100B-HD-N/103B-HD-N	

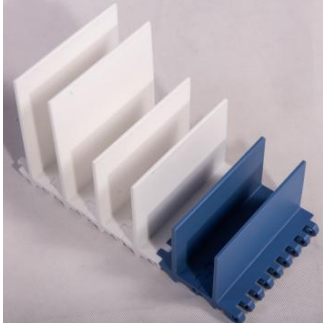

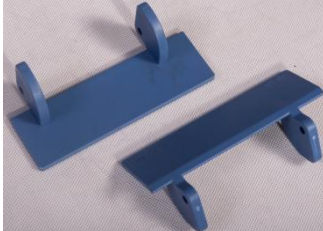
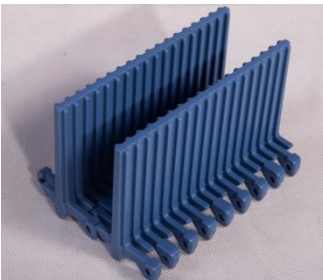
HS-100-HD SERIES

FLIGHT					
Based on	Type	Picture	Height	Width	Molded Indent
HS-100A-HD	Straight flight		25mm	150mm	/
			50mm	150mm	/
			75mm	150mm	/
			100mm	150mm	/
	Scoop flight		100mm	150mm	/
			150mm	150mm	
Suitable for 100A-HD/103B-HD					

FLIGHT					
Based on	Type	Picture	Height	Width	Molded Indent
HS-100B-HD	Straight flight		50mm	150mm	/
			75mm	150mm	/
Suitable for 100B-HD					

SIDE WALL	
Height	Picture
60mm	
85mm	
110mm	
Suitable for 100A-HD/100B-HD	

HS-100-HD-N SERIES

FLIGHT					
Based on	Type	Picture	Height	Width	Molded Indent
HS-100A-HD-N	Straight flight		25mm	152.4mm	/
			50mm	152.4mm	/
			75mm	152.4mm	/
			100mm	152.4mm	/
			150mm	152.4mm	/
	Scoop flight		76.2mm	152.4mm	/
			101.6mm	152.4mm	/
			152.4mm	152.4mm	/
	Pop-up flight		50mm	152.4mm	/
	HS-103B-HD-N	No-cling Flight		75mm	152.4mm
100mm					
Suitable for 100A-HD-N/100B-HD-N/103B-HD-N/103B-HD-AN					

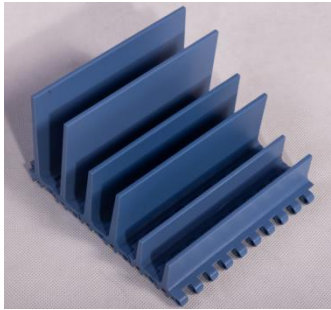
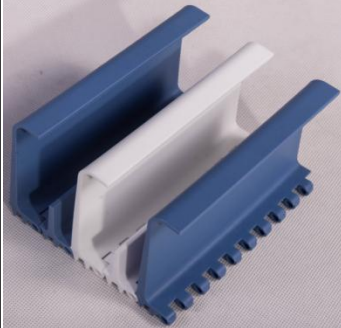
SIDE WALL	
Height	Picture
60mm	
85mm	
102mm (Left, Right)	
110mm	
160mm	

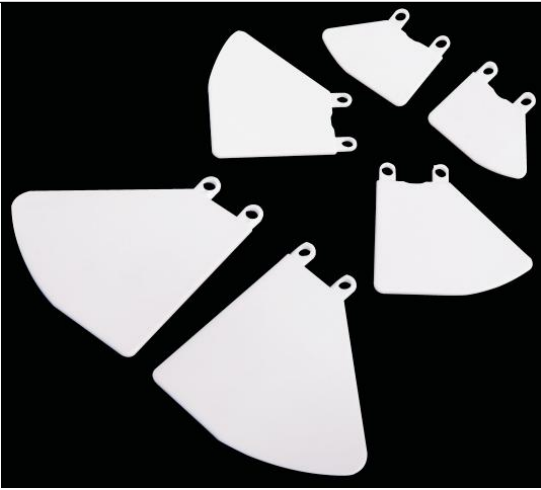
Suitable for 100A/100B/101B/102B/100A-HD-N/100B-HD-N/103B-HD-N

MOLDED-IN SIDE WALL			
Height	Width	Molded Indent	Picture
100mm	100mm	38mm	
	150mm	38mm	


Suitable for 100A-HD-N

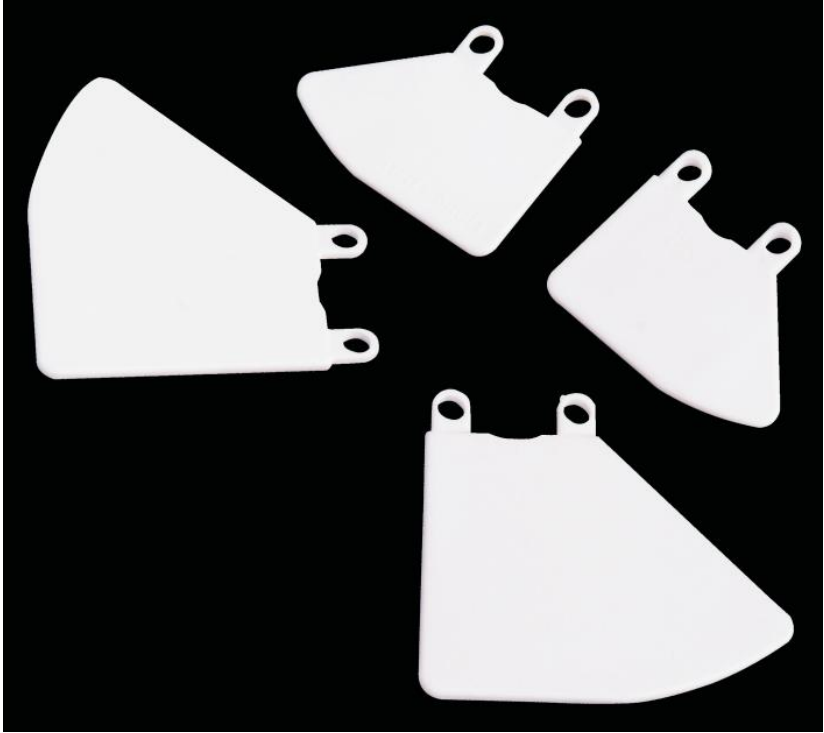
HS-200 SERIES

FLIGHT					
Based on	Type	Picture	Height	Width	Molded Indent
HS-200A	Straight flight		25mm	150mm	/
			50mm	150mm	/
			75mm	150mm	/
	Scoop flight		75mm	150mm	/
Suitable for 200A/200AN/200B/200EL					


SIDE WALL	
Height	Picture
35mm	
60mm	
85mm	
Suitable for 200A/200B	

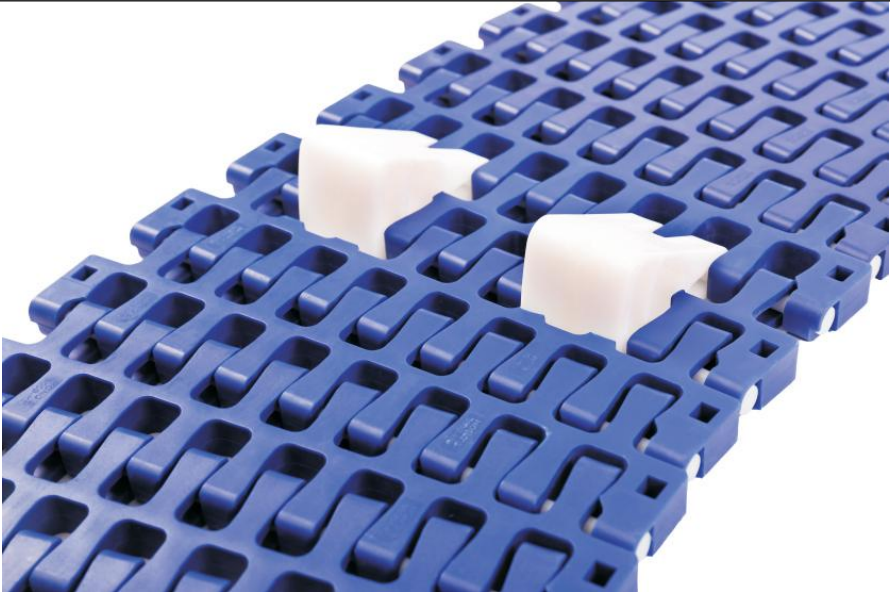
HS-200-HD SERIES

FLIGHT					
Based on	Type	Picture	Height	Width	Molded Indent
HS-200A-HD	Straight flight		25mm	292mm	22mm
				152mm	23mm
			50mm	292mm	22mm
				152mm	23mm
			75mm	152mm	/
Suitable for 200A-HD					

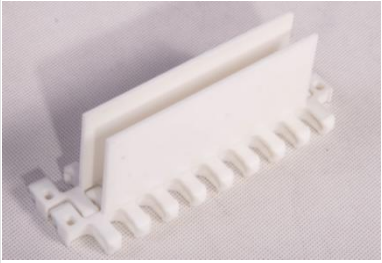
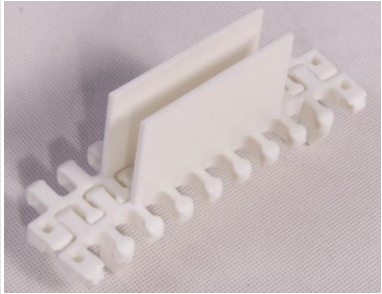
SIDE WALL	
Height	Picture
35mm	
60mm	
Suitable for 200A-HD	

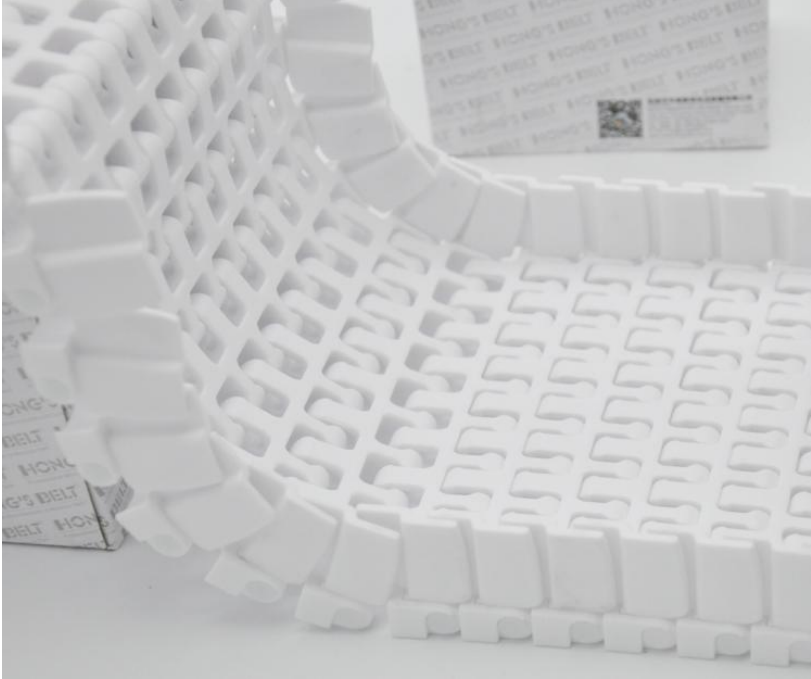
HS-300-HD SERIES

SIDE WALL	
Height	Picture
25mm	
Suitable for 300B-HD	

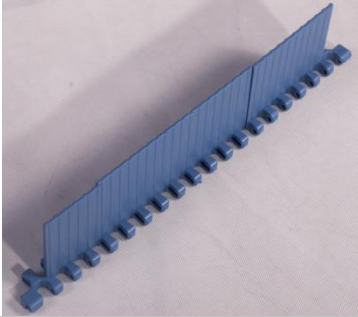
PUSHER	
Height	Picture
23mm	
Suitable for 300B-HD/300B-HD-GB	

HS-500 SERIES

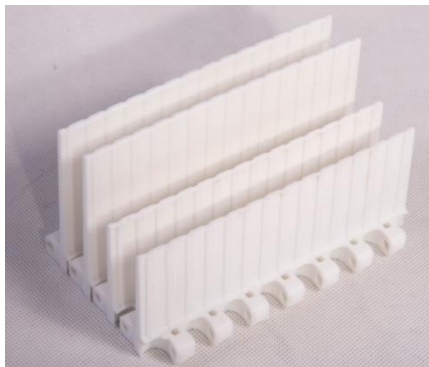
Based on	Type	Picture	Height	Width	Molded Indent
HS-500B	Straight flight		50mm	133mm	/
				165mm	20mm*2
HS-500B-GB	Straight flight		50mm	165mm	40mm*2
Suitable for 500B/500B-GB/500B-EL-GB/500EL					

SIDE WALL	
Height	Picture
25mm	
Suitable for 500B/500B-GB	


HS-500-HD SERIES

Based on	Type	Picture	Height	Width	Molded Indent
HS-500B-HD	No-cling Flight		76mm	78mm/88mm/ 141mm/151mm	29mm
				187mm	/
Suitable for 500B-HD/500B-HD-D					

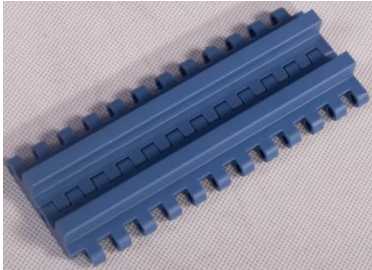
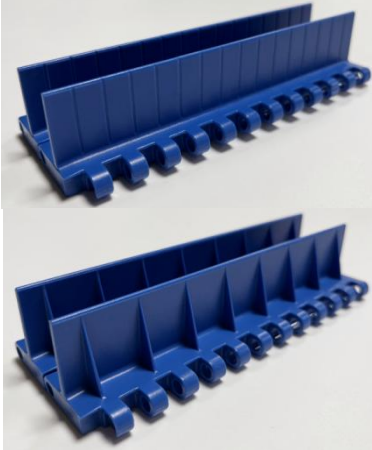
HS-501 SERIES

Based on	Type	Picture	Height	Width	Molded Indent
HS-501B	No-cling Flight		50mm	153.4mm	/
				75mm	153.4mm
Suitable for 501A/501B					

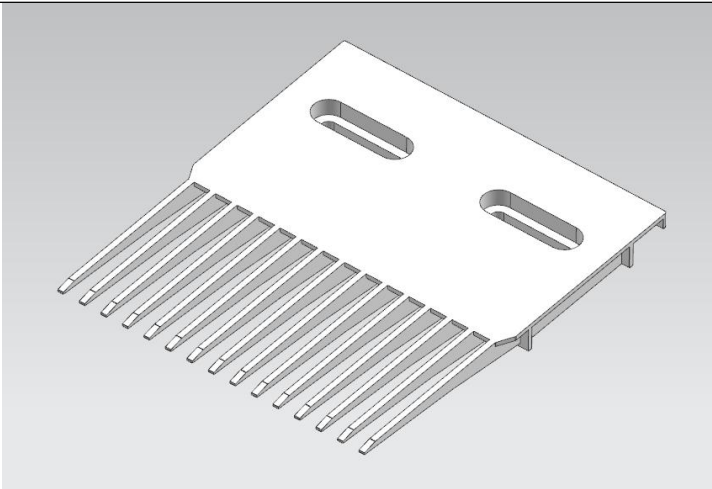
HS-502 SERIES

FLIGHT					
Based on	Type	Picture	Height	Width	Molded Indent
HS-502A	Straight flight		50mm	157mm	/
Suitable for 502A/502B/502EL/502ZS					

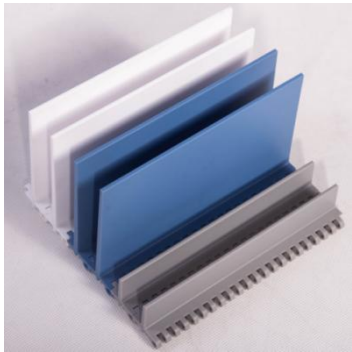
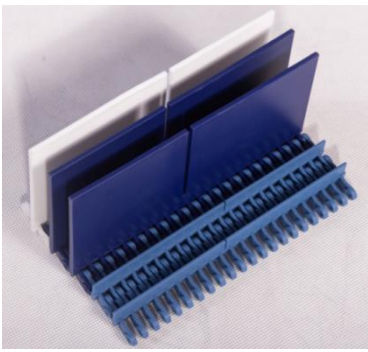
HS-502-HD SERIES


FLIGHT					
Based on	Type	Picture	Height	Width	Molded Indent
HS-502A-HD	Straight flight		10mm	152.4mm	/
	No-cling Flight		25mm	152.4mm	/
Suitable for 502A-HD					

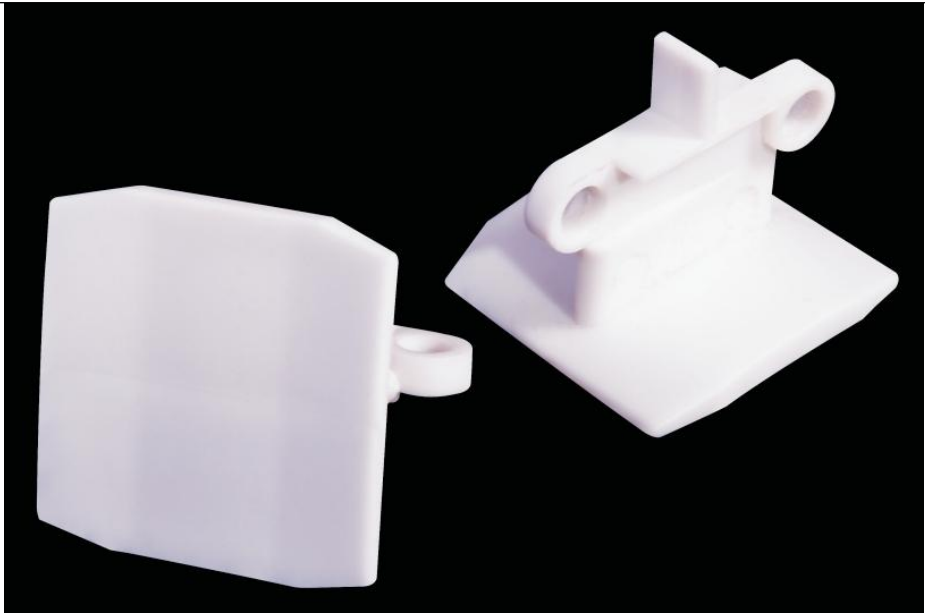
HS-600 SERIES

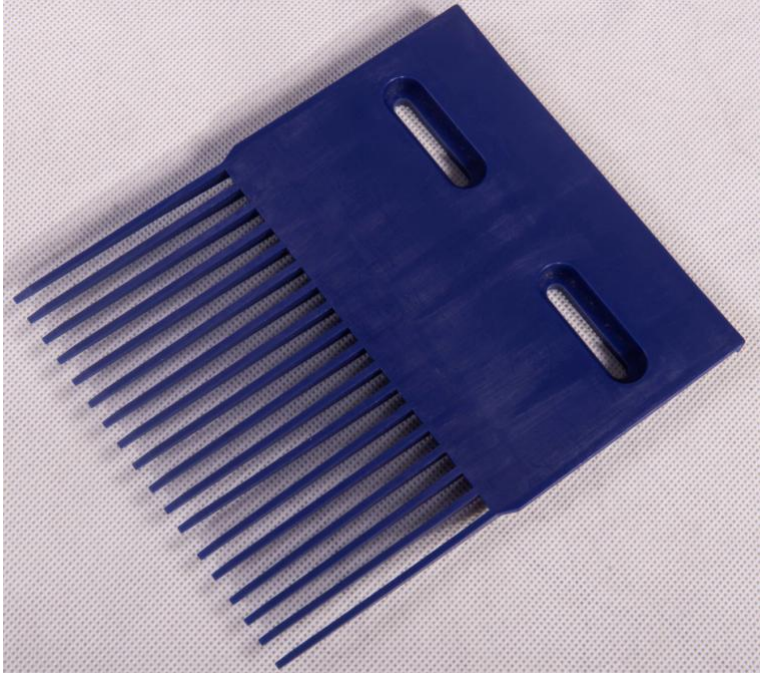
FINGER PLATE		
Finger No.	Width	Picture
15	152mm	
Suitable for 600B		

HS-700 SERIES

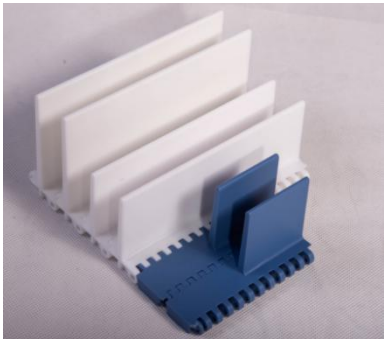

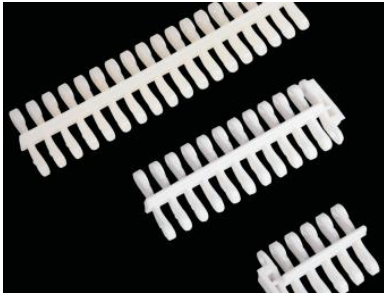
Based on	Type	Picture	Height	Width	Molded Indent
HS-700A	Straight flight		25mm	181mm	/
				209.5mm	25mm
			100mm	181mm	/
				209.5mm	45mm
HS-700B	Straight flight		10mm	181mm	/
				209.5mm	10mm*2
			75mm	181mm	/
				209.5mm	10mm*2
Suitable for 700A/700B/700EL					


SIDE WALL	
Height	Picture
35mm	
50mm	
80mm	
Suitable for 700A/700B/700A-N/700B-N/700AB-N//702B-N	

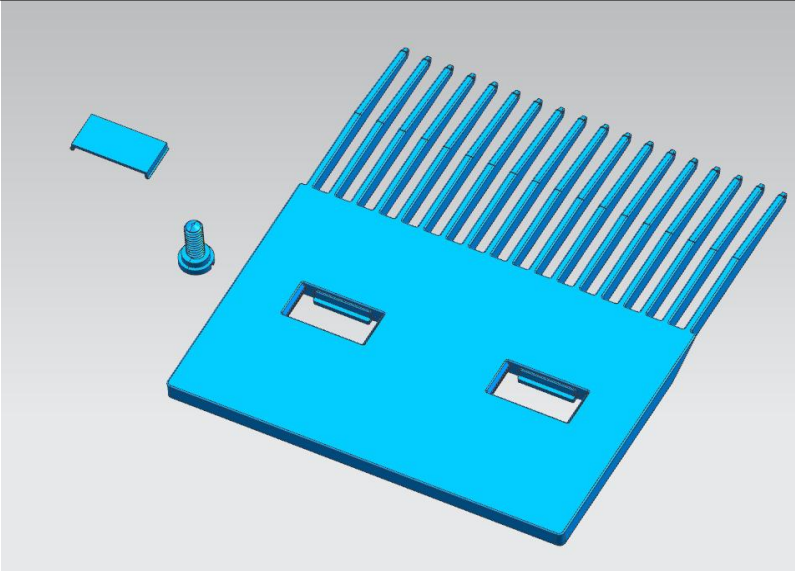
HOLD DOWN TABS	
Width	Picture
36mm	
Suitable for 700B	

FINGER PLATE		
Finger No.	Width	Picture
18	146mm	
Suitable for 701B		


HS-700-N SERIES

Based on	Type	Picture	Height	Width	Molded Indent
HS-700A-N	Straight flight		25mm	152.4mm	/
				101.6mm	50.8mm
			50mm	152.4mm	/
				101.6mm	50.8mm
			75mm	152.4mm	/
				101.6mm	50.8mm
	Pop-up flight		30mm	152.4mm	/
HS-703B-N	Straight flight		4.5mm	152.4mm	/
				50.8mm/101.6mm	6.5mm
Suitable for 700A-N/700B-N/700AB-N/700EL-N/702B-N/703B-N					

SIDE WALL	
Height	Picture
35mm	
50mm	
80mm	
Suitable for 700A-N/700B-N/700AB-N/702B-N	


FINGER PLATE		
Finger No.	Width	Picture
18	147.3mm	
Suitable for 700D-N		

HS-750RC SERIES

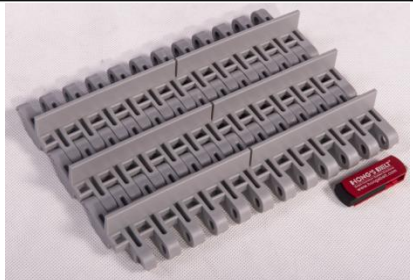
FLIGHT					
Based on	Type	Picture	Height	Width	Molded Indent
HS-750RC	Straight flight		12mm	45mm	4.22mm(center)
			20mm	45mm	4.15mm(center)
			21mm	45mm	4.14mm(center)
Suitable for 750RC					

HONG'S BELT®


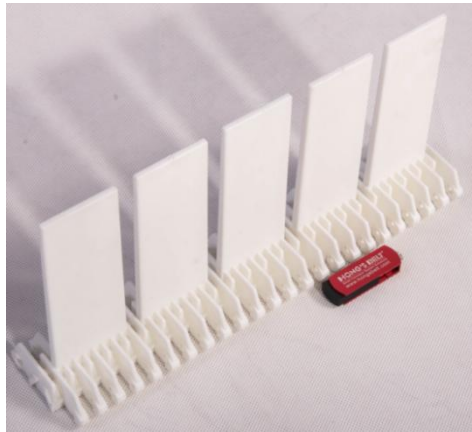
HS-900 SERIES

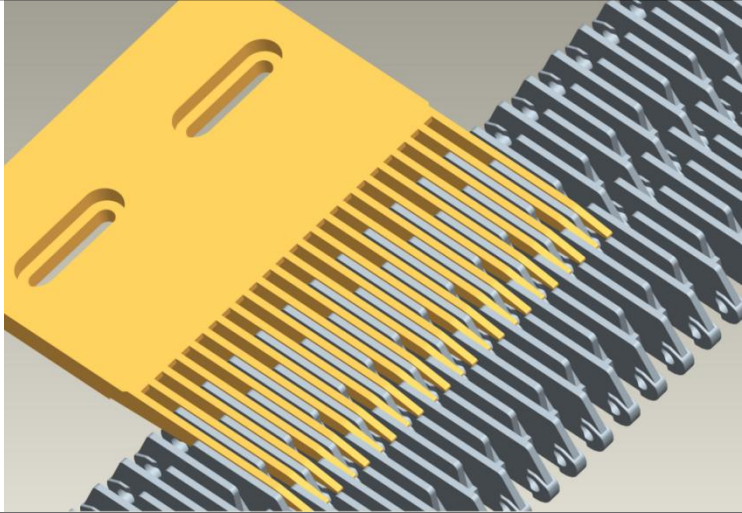
FLIGHT					
Based on	Type	Picture	Height	Width	Molded Indent
HS-900A	Straight flight		50mm	150mm	/
			75mm	150mm	/
			150mm	150mm	/
Suitable for 900A/900B					

HS-900-HD SERIES

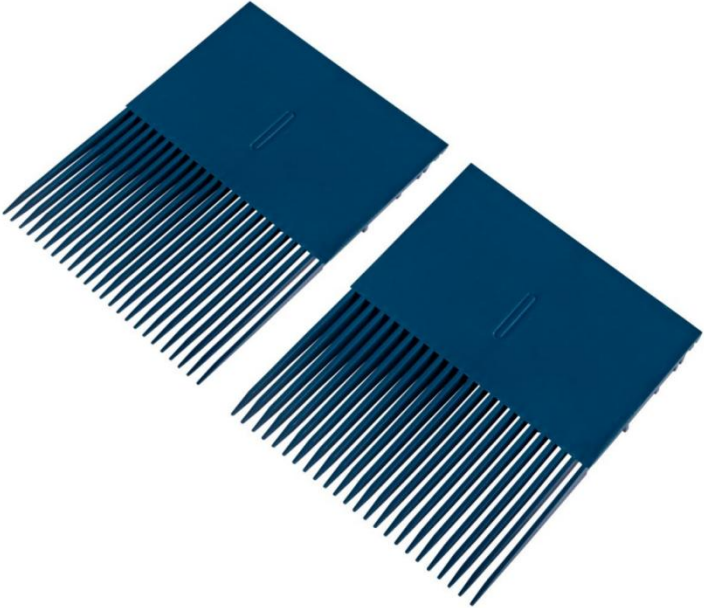
FLIGHT					
Based on	Type	Picture	Height	Width	Molded Indent
HS-900B-HD	Straight flight		17mm	222.8mm	/
Suitable for 900B-HD					

HS-901 SERIES

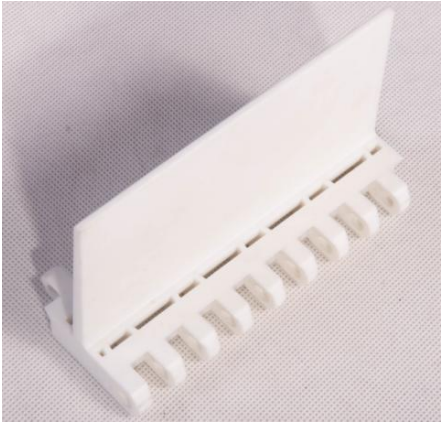
Based on	Type	Picture	Height	Width	Molded Indent
HS-901B	Straight flight		50mm	303.5mm	/
				100.2mm	51.8mm
			75mm	303.5mm	/
				100.2mm	51.8mm
			100mm	303.5mm	/
				100.2mm	51.8mm
HS-901D	Straight flight		75mm	306.5mm	/
				101mm	62.3mm
			124.5mm	306.5mm	/
				101mm	62.3mm
Suitable for 901B/901D					

FINGER PLATE		
Finger No.	Width	Picture
23	145mm	
Suitable for 901D		

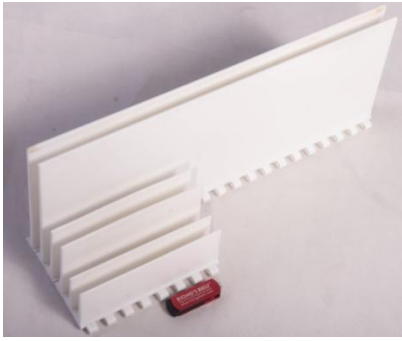
HS-901-HD SERIES

FINGER PLATE		
Finger No.	Width	Picture
24	151mm	
Suitable for 901D-HD		

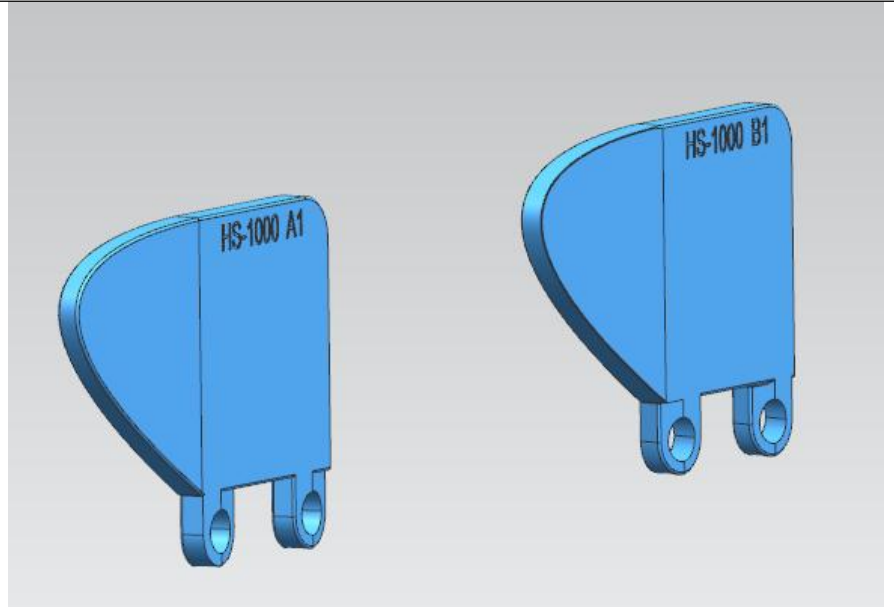
HS-902 SERIES

FLIGHT					
Based on	Type	Picture	Height	Width	Molded Indent
HS-902B	Straight flight		75mm	150mm	/
Suitable for 902B					

HS-1000 SERIES

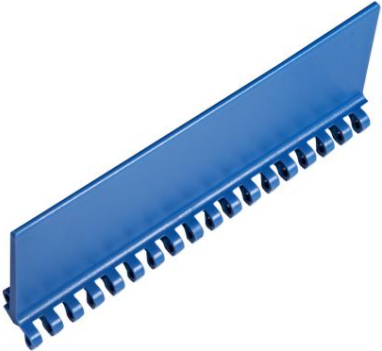
FLIGHT					
Based on	Type	Picture	Height	Width	Molded Indent
HS-1000A	Straight flight		10mm	152mm	/
			15mm	152mm	/
			50mm	152mm	/
			75mm	152mm	/
			150mm	398mm	/
		75mm	152mm	15mm	

Suitable for 1000A/1000B/1001B

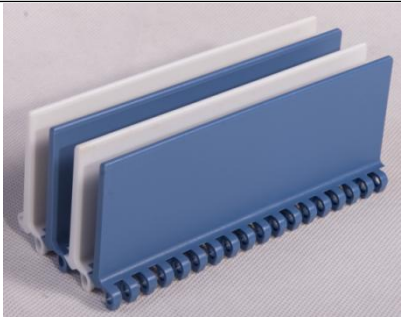
SIDE WALL	
Height	Picture
31.4mm	

Suitable for 1000A/1000B/1001B (A1--Left Side; B1--Right Side)

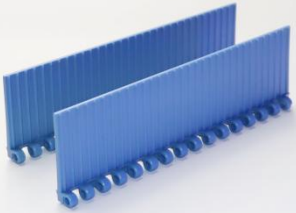
HS-1100 SERIES

Based on	Type	Picture	Height	Width	Molded Indent
HS-1100A	Straight flight		25mm	191.5mm	/
				208mm	/
			50mm	191.5mm	/
				208mm	/
Suitable for 1100A/1100B/1100EL					

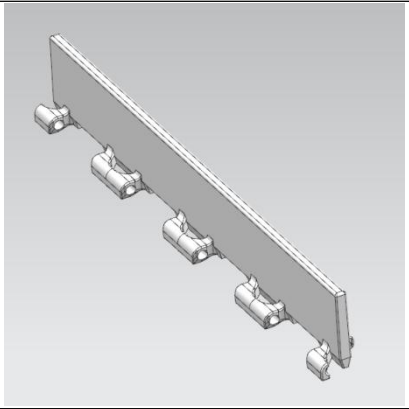
HS-1100-N SERIES

FLIGHT					
Based on	Type	Picture	Height	Width	Molded Indent
HS-1100A-N	Straight flight		50.8mm	152.4	/
Suitable for 1100A-N/1100B-N/1100B-N-EL					

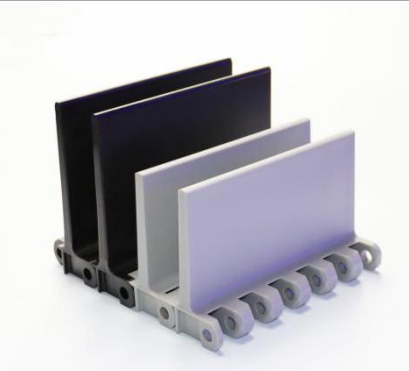
HS-1500 SERIES

FLIGHT					
Based on	Type	Picture	Height	Width	Molded Indent
HS-1500A	No-cling Flight		50mm	205mm	/
Suitable for 1500A/1500EL					



HS-1500-N SERIES

FLIGHT					
Based on	Type	Picture	Height	Width	Molded Indent
HS-1500B-N	Straight flight		25mm	204mm	/
Suitable for 1500B-N					

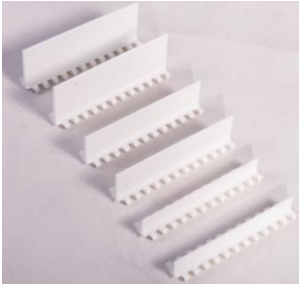
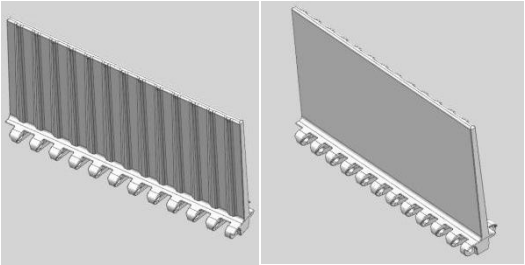
HS-1700 SERIES


FLIGHT					
Based on	Type	Picture	Height	Width	Molded Indent
HS-1700B	Straight flight		75mm	150.3mm	/
			102mm	151mm	
Suitable for 1700B					

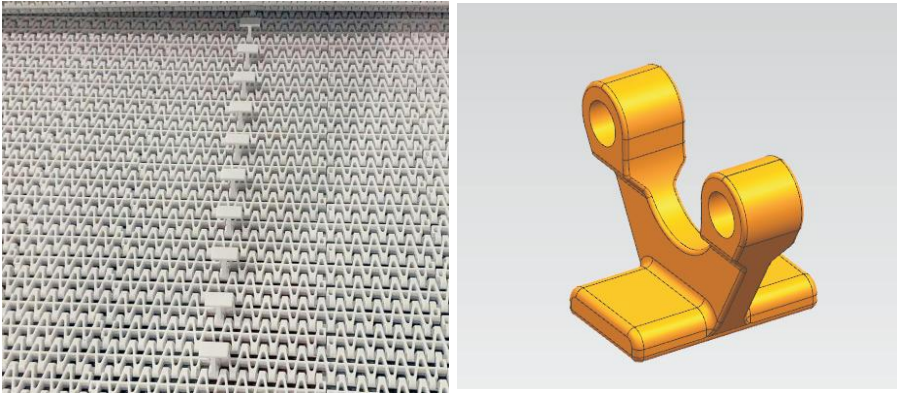
HS-1800 SERIES

PUSHER				
Based on	Picture	Height	Width	Molded Indent
HS-1800A		20mm	200mm	12mm
		50mm	200mm	14.5mm
Suitable for 1800A/1800B/1800D				


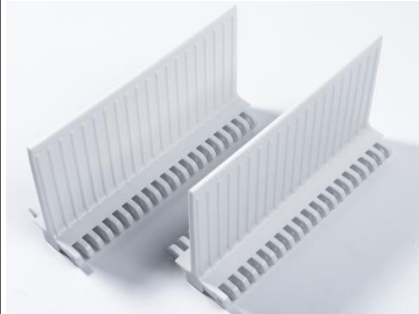
HS-2500 SERIES

FLIGHT					
Based on	Type	Picture	Height	Width	Molded Indent
HS-2500A	Straight flight		25mm	200mm	/
			50mm	200mm	/
			75mm	200mm	/
HS-2500A	No-cling Flight	 no-cling and smooth side	100mm	200mm	/
Suitable for 2500A/2500B					

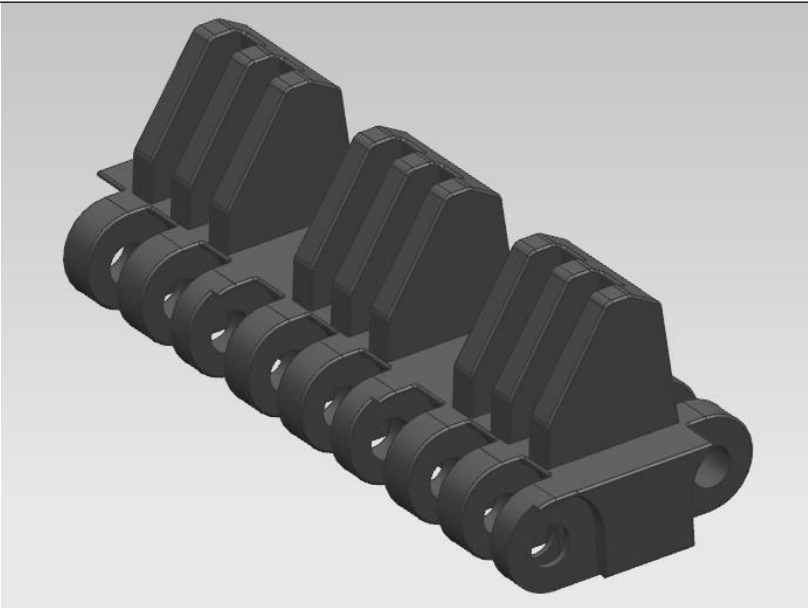
FINGER PLATE		
Finger No.	Width	Picture
18	148mm	
Suitable for 2500D		

HOLD DOWN TABS	
Width	Picture
25mm	
Suitable for 2500A/2500B	

HS-3600 SERIES

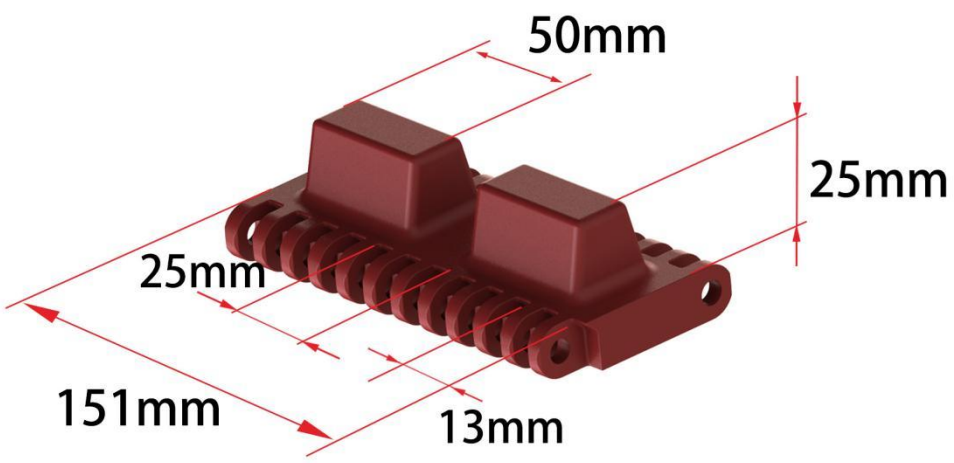
FLIGHT					
Based on	Type	Picture	Height	Width	Molded Indent
HS-3600B	Bent Flight		75mm	200mm	/
			100mm		
HS-3600B	No-cling Flight		100mm	200mm	/
Suitable for 3600B					

HS-6800 SERIES

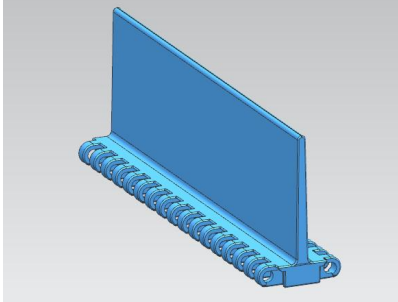
PUSHER		
Height	Width	Picture
28mm	151mm	
Suitable for 6800A/6800D		


HONG'S BELT®

HS-6990 SERIES

PUSHER		
Height	Width	Picture
25mm	151mm	
Suitable for 6990A/6990D		

HS-F1000 SERIES

FLIGHT					
Based on	Type	Picture	Height	Width	Molded Indent
HS-F1000A	Straight flight		50mm	170mm	/
Suitable for F1000A/F1000B					

FINGER PLATE		
Finger No.	Width	Picture
34	167.5mm	
Suitable for F1000-58RR		